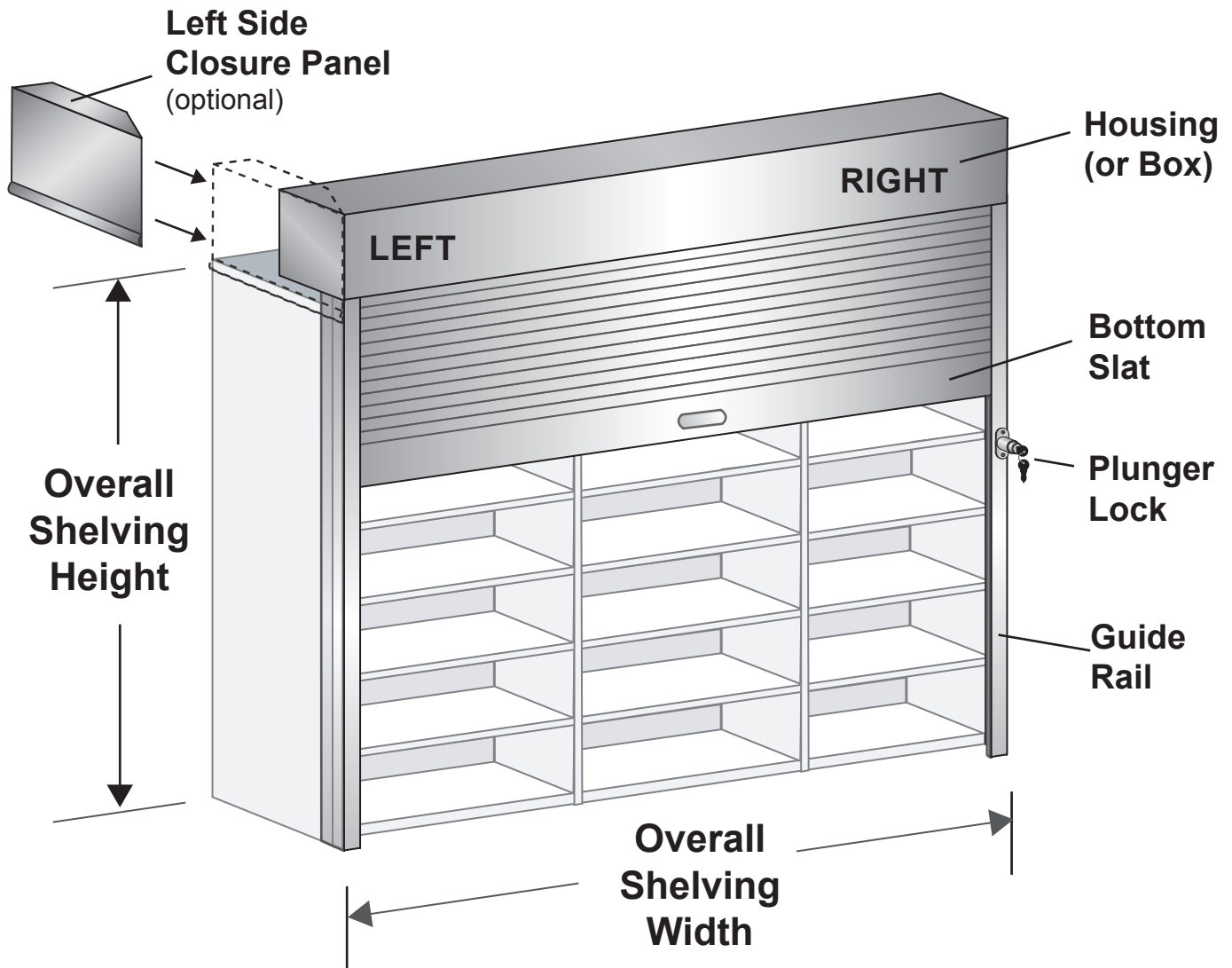
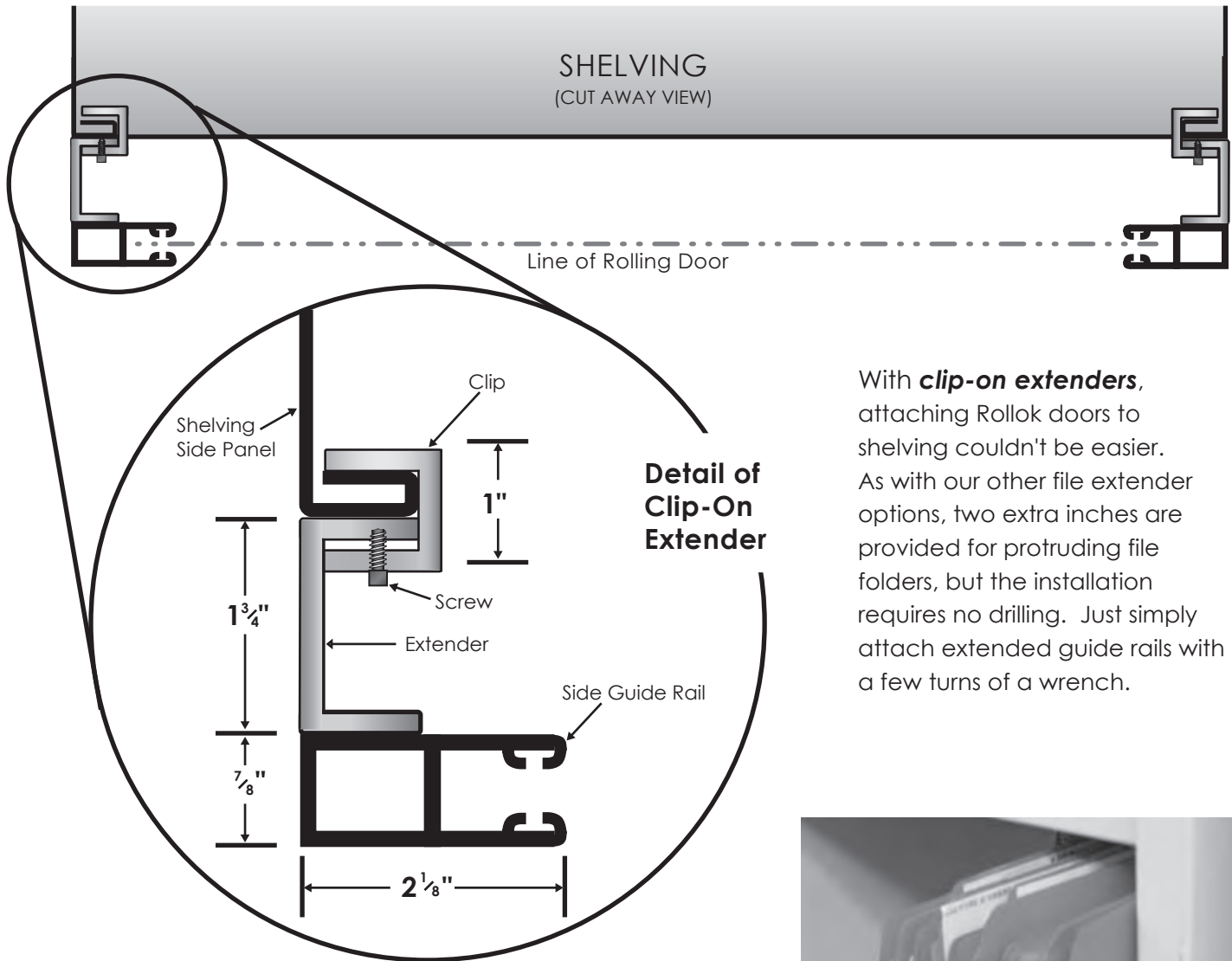


## Rollok Doors on L&T Shelving



# L&T CLIP-ON EXTENDERS



With **clip-on extenders**, attaching Rollok doors to shelving couldn't be easier. As with our other file extender options, two extra inches are provided for protruding file folders, but the installation requires no drilling. Just simply attach extended guide rails with a few turns of a wrench.



CLIP ATTACHMENT

**Left:** A clip attached to the shelving and the extender. A wrench is provided for tightening.

**Right:** Cut away view of slats, side rail and extender clamped to shelving.



CUT AWAY VIEW