

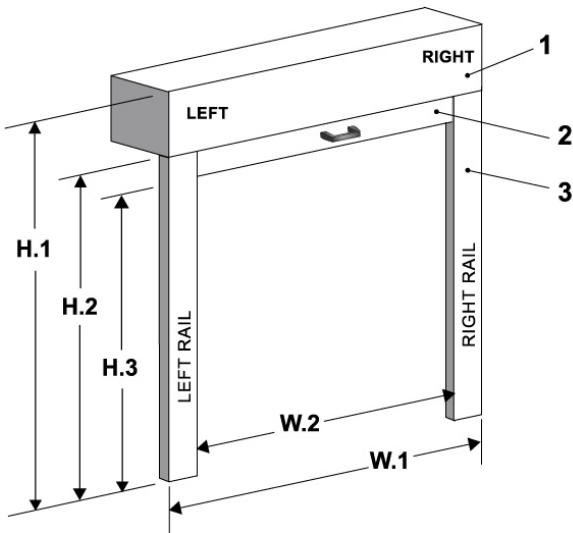
# PRICING/ORDER FORM

REQUEST FOR PROPOSAL     ORDER

1-888-891-1970 x 8958    www.FilingToday.com

**FAX this form to: 888-891-9970**

BILLING ADDRESS	SHIPPING ADDRESS	Today's Date: <input style="width:100%;" type="text"/>
Company: _____	Company: _____	Purchase Order: _____
Contact: _____	Contact: _____	Job Name: _____
Address: _____	Address: _____	Desired Ship Date: _____ <small>(Allow 3-4 weeks from order date)</small>
_____	_____	Ph # : _____
City: _____	City: _____	Fax # : _____
State: _____ Zip: _____	State: _____ Zip: _____	E-mail: _____

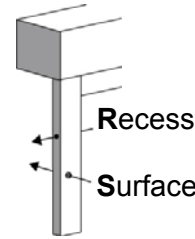


**NOTES**

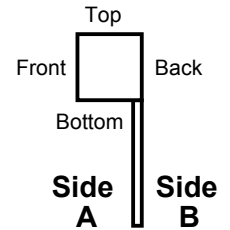
- KEY TO DIAGRAM**

  - H.1 - Overall Height (OAH)
  - H.2 - Height of Guide Rail
  - H.3 - Height to Bottom Slat
  - W.1 - Overall Width (OAW)
  - W.2 - Surface Width
  - 1 - Housing
  - 2 - Bottom Slat
  - 3 - Guide Rail
  - R - Recess Drilling
  - S - Surface Drilling

**Drilling Options**



**Lock & Handle Placement**



**INSTRUCTIONS:** Please carefully measure your opening(s) and fill in the following:

QTY	WIDTH	HEIGHT	Operation	COLOR	DRILLING OPTIONS	Lock/Handle Placement	Handle Type	Lock Type	BSS Stops	PRICE EACH
#	( W.1 or W.2 )	( H.1, H.2, H.3 )	Spring, strap, or motor	Silver, white, beige, bronze	Surface (S) or Recess (R)	Which Side? (see above)	(See Prod. Guide)	(See Prod. Guide)	(See Prod. Guide)	(For office use only)
1										
2										
3										
4										
5										
6										
7										

ESTIMATED FREIGHT COST (not included in total):       TOTAL PRICE OF DOORS :

QUOTE PREPARED BY :       (For office use only)      (For office use only)

The total price includes preparation for shipping, but does not include freight costs. If this proposal is satisfactory, you may sign and return via fax at 888-891-9970 to confirm the order. Once this proposal is signed and returned, we can begin production on your shutters. This proposal is effective for 60 days.

**I accept and confirm this order.** \_\_\_\_\_  
Order Confirmation Signature      Date