



MAYLINE[®]



GSA Contract No.
GS-29F-0129G
Navy BPA No.
N00189-11-A-0106

General Services Administration

FSC Group 71

Office Furniture, Storage, Modular and Height Adjustable
Workstations, Tables, and Multipurpose Seating

Contract No. GS-29F-0129G

Contract Period: December 18, 2006 – November 10, 2016

- SIN 711-2 Worksurfaces, workstations, computer furniture, and accessories:
Workstations: e5™, Communication Station®, CSII™, TransAction™, VariTask®
E-Series, VariTask® XR, RGE Tables (does not include LT)
Network Products and LAN Racking Systems: TechWorks®, Maytrix™, and
e*LAN™
- SIN 711-3 Filing and storage cabinets, shelves, mobile carts, dollies, racks and accessories:
Steel Plan Files (except C-Files)
High Density Filing: Mobile 1000™, Kwik-Track, Four-Post, X-Ray, File Harbor,
and ARC™ Rotary Files
Mailroom: Mailflow Systems® and Mailflow-To-Go,™ Forms & Storage Cabinets
- SIN 711-7 High density, moveable filing systems and accessories:
Mobile Aisle, Mobile Lite, The Security Shade
- SIN 711-11 Tables and accessories (Conference, Training, and Hospitality Tables):
Meeting Plus™, Sync™, Flip-N-Go®, Encounter™, T-Mate™, TransAction™,
CSII™, Bistro Series™, and COHERE™
- SIN 711-18 Multipurpose Seating:
Valoré® High-Back Chair Upholstered TSH1F& TSH2F
Commute™ Series: Task, Executive, and Conference

Cage Code: 1TT38 DUNS: 16-854-8662 SAM/CCR Registered Business Size: Small

- **Effective Price List: April 1, 2013**
- Discount is 62.1%
- Freight: FREE FREIGHT. All products ship via common carrier F.O.B. shipping point (origin), with freight charges prepaid by Mayline. This is for dock-to-dock delivery shipments within the 48 contiguous states. Any accessorial charges for lift gate, inside delivery, call-in-advance, etc., are the responsibility of the requesting party.





Commute Mesh

- Tilt Tension
- Tilt Lock
- Sliding Seat Pan
- Adj. Arms

\$261.51 Black Base
\$317.98 Chrome Base



Commute Upholstered

- Tilt Tension
- Tilt Lock
- Sliding Seat Pan
- Adj. Arms

\$352.09 Black Base
\$380.52 Chrome Base



Commute Conference

- Swivel & Tilt Mechanism
- Fixed Loop Arms

\$200.49 Armless
\$223.23 With Arms



Valoré High Back

- Chrome or Black Base
- Nesting
- Flexing Back

\$197.08 Armless
\$202.77 With Arms



MAYLINE®



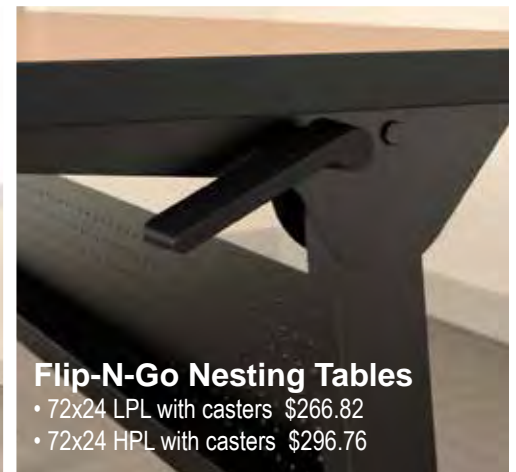
Cohere Nesting Tables

• 72x24 with casters \$397.95



Sync Nesting Tables

• 72x24 LPL with casters \$293.73
 • 72x24 HPL with casters \$326.70



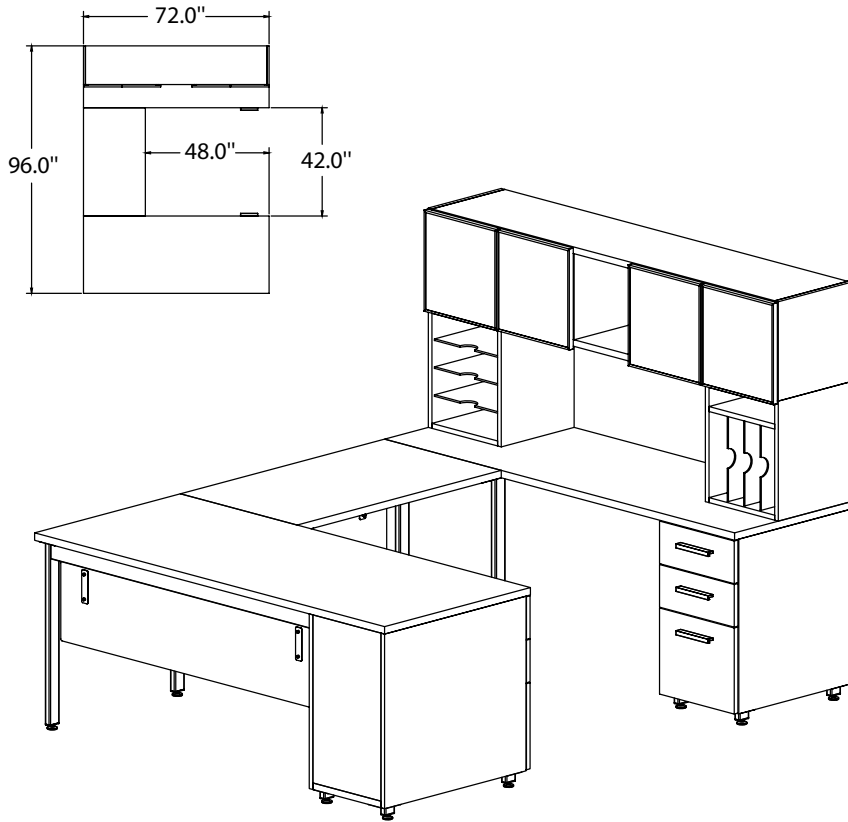
Flip-N-Go Nesting Tables

• 72x24 LPL with casters \$266.82
 • 72x24 HPL with casters \$296.76



e5 Private Office and Benching

- Private Office
- Benching for open plan
- Single and 4-Circuit electric
- Technology beltway and wall
- Mobile and floor-supporting pedestals

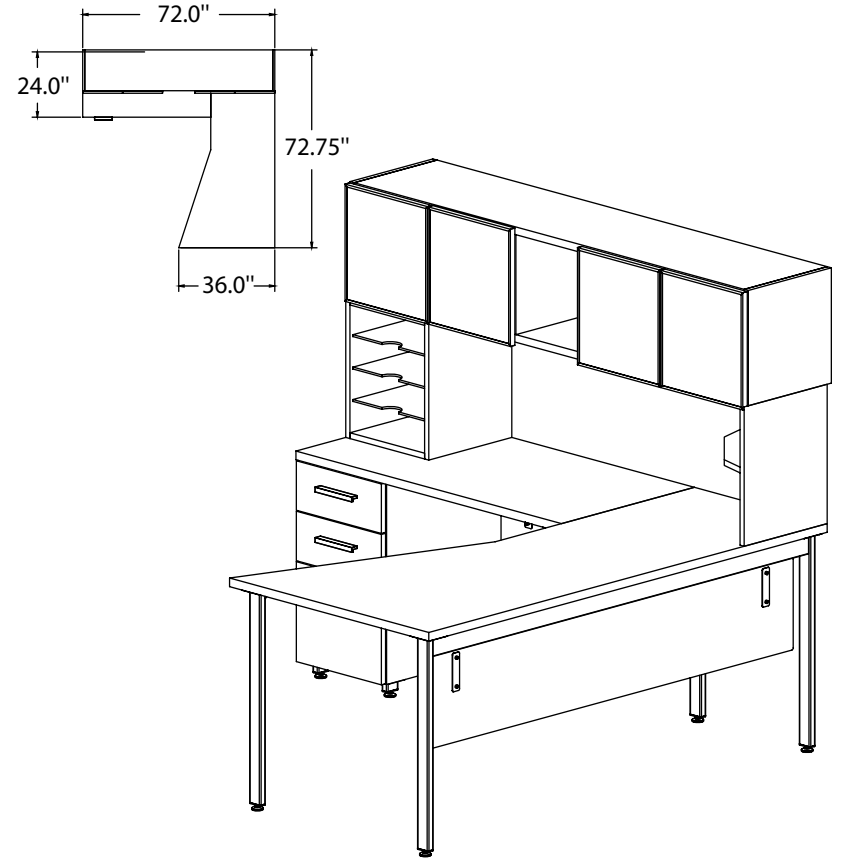


e5 PRIVATE OFFICE TYPICAL #2

Consists of:

QTY.	MODEL NO.	DESCRIPTION	LIST PRICE EACH
1	EZ7230LBMA	72" X 30" Top with BBF Pedestal (Left) with Acrylic Modesty Panel	\$1968
1	EZ4224RRMA	42" Bridge with Acrylic Modesty Panel	\$774
1	EZ7224LB	72" X 24" Top with BBF Pedestal (Left)	\$1359
1	EZSM18H	Support Modules/Horizontal	\$418
1	EZSM18V	Support Modules/Vertical	\$418
1	EZH72L	72" Overhead Cabinet with Laminate Doors	\$1000

TOTAL: \$5937
GSA Price \$2,250.12



e5 PRIVATE OFFICE TYPICAL #10

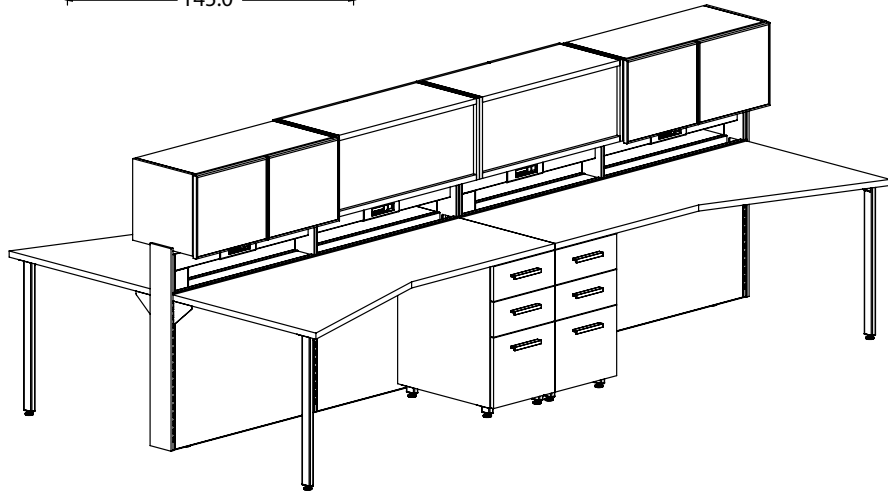
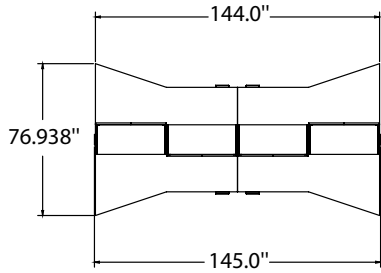
Consists of:

QTY.	MODEL NO.	DESCRIPTION	LIST PRICE EACH
1	EZHR7224LLMA	72" X 24" Right-Handed Hatchet Desk with Acrylic Modesty Panel	\$1425
1	EZ4824RBMA	48" x 24" Return with BBF Pedestal	\$1510
1	EZH72F	72" Overhead Cabinet with Frosted Glass Doors	\$1332
1	EZCS	Corner Support for Overhead Cabinet	\$300
1	EZSM18H	Support Modules/Horizontal	\$418

TOTAL: \$4985
GSA Price \$1,889.32



NOTE: 4-Circuit Power provided.



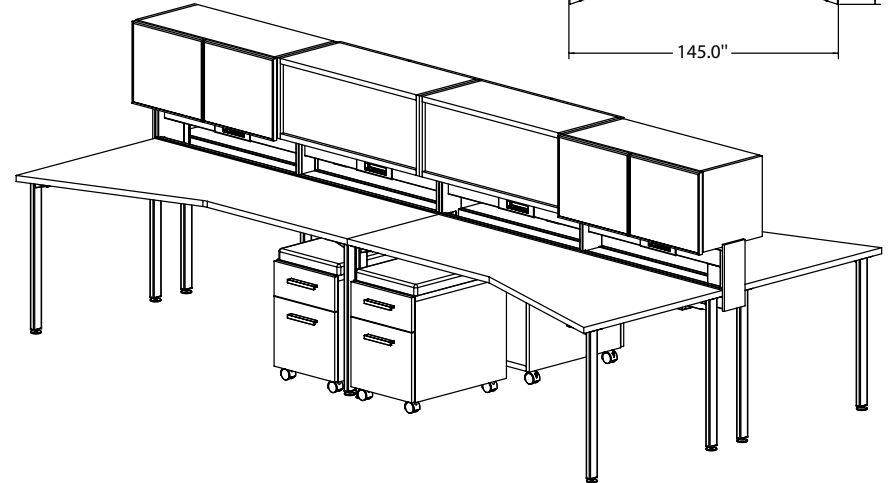
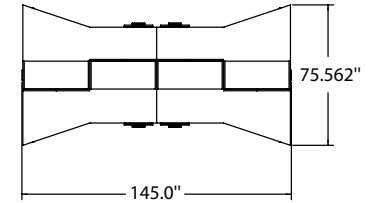
e5 BENCHING TYPICAL #19

Consists of:

QTY.	MODEL NO.	DESCRIPTION	LIST PRICE EACH
2	EZHL7224KB	72" X 24" Left-Hand Hatchets with BBF Pedestal Support/Cantilevered Bracket/1 Long Leg	\$1404
2	EZHR7224KB	72" X 24" Right-Hand Hatchets with BBF Pedestal Support/Cantilevered Bracket/1 Long Leg	\$1404
4	EZH36F	36" Overhead Cabinets with Frosted Glass Doors	\$757
1	EZTW72HS	Technology Wall, 4-Circuit Starter	\$2726
1	EZTW72HA	Technology Wall, 4-Circuit Adder	\$2576

TOTAL: \$13,946
GSA Price \$5,285.53
 Per station \$1,321.38

NOTE: 4-Circuit Power provided.



e5 BENCHING TYPICAL #22

Consists of:

QTY.	MODEL NO.	DESCRIPTION	LIST PRICE EACH
1	EZHL7224LL	72" X 24" Left-Handed Hatchets with 1 Long Leg	\$833
1	EZHR7224LL	72" X 24" Right-Handed Hatchets with 1 Long Leg	\$833
1	EZH36F	36" Overhead Cabinet with Frosted Glass Doors	\$757
1	EZPM24BF	Mobile Pedestal	\$593
1	EZSC15	Upholstered Cushion	\$265
1	EZTB72HS	Technology Beltway, 4-Circuit Starter	\$1742
1	EZTB72HA	Technology Beltway, 4-Circuit Adder	\$1592

TOTAL: \$13,126
GSA Price \$4,974.75
 Per station \$1,243.69

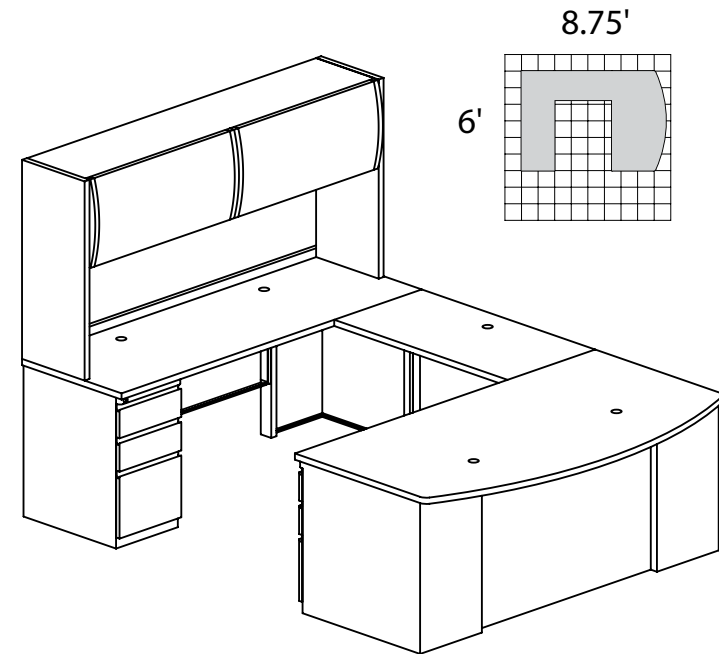
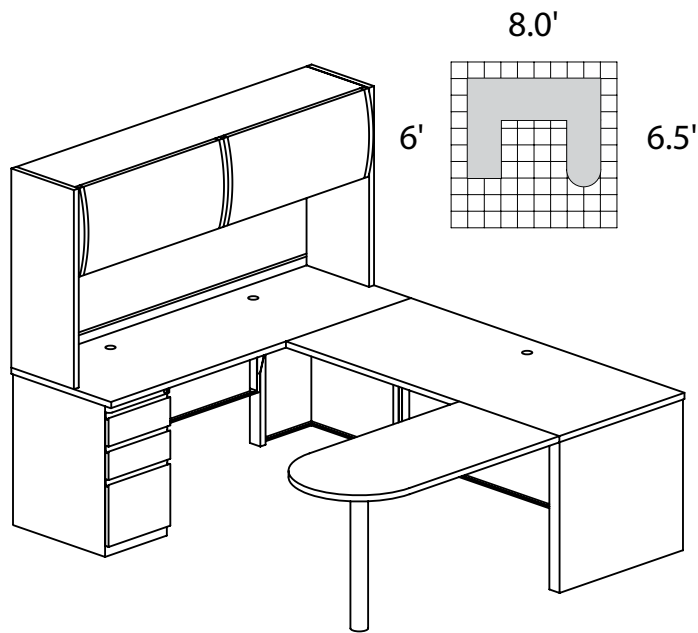




CSII Private Office and Open Plan

- Private office
- Stackable privacy screens for open plan applications
- HPL surfaces
- Metal or wood-grain laminate front floor-supporting storage





CSII TYPICAL #2

Consists of:

QTY.	MODEL NO.	DESCRIPTION	LIST PRICE EACH
1	C1171	Credenza 72"W x 24" D with One B/B/F	\$1233
1	C2576	Return 72" W x 30" D	\$849
1	C673	Peninsula Table 48" W x 24" D	\$638
1	C747	Flipper Door Overhead Unit 72" W x 15" D x 36" H	\$1106
1	C867	Fabric Tack Panel for Overhead 69¼" W x 17" H	\$343

TOTAL: \$4,169
GSA Price \$1,580.05

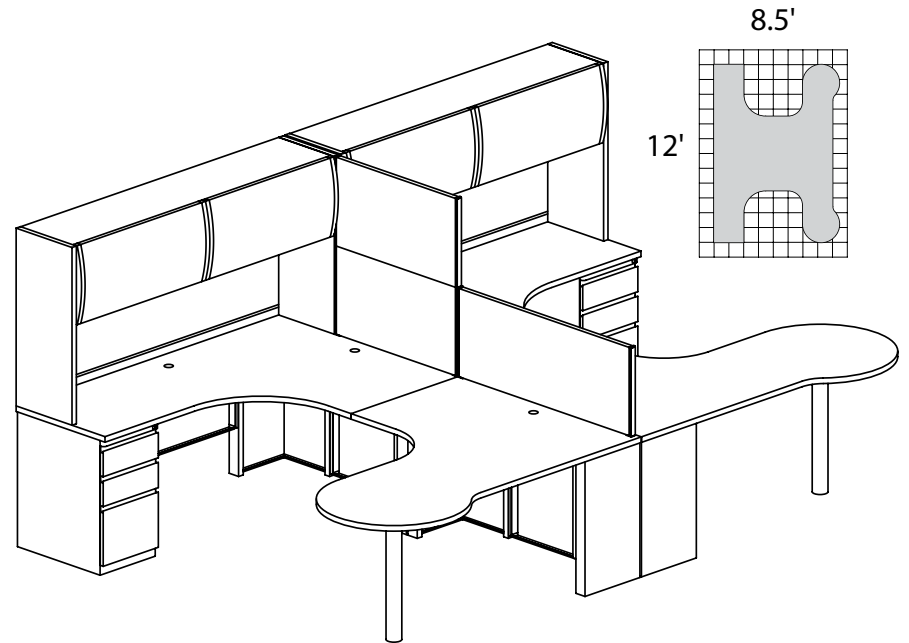
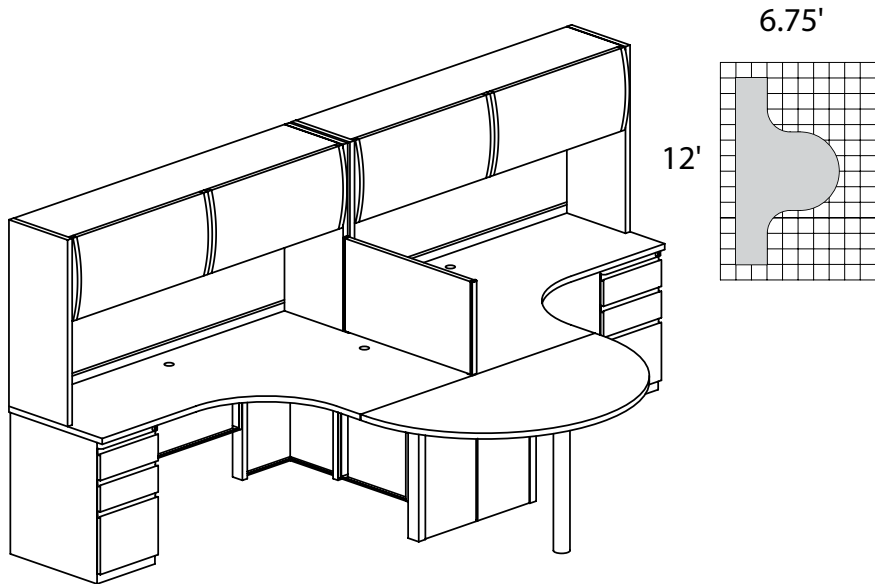
CSII TYPICAL #5

Consists of:

QTY.	MODEL NO.	DESCRIPTION	LIST PRICE EACH
1	C1971	Bowfront Desk 72" W x 39" D with One B/B/F	\$1416
1	C282T	Straight Bridge 42" W x 21" D	\$367
1	C1171	Credenza 72"W x 24"D with One B/B/F	\$1233
1	C747	Flipper Door Overhead Unit 72"W x 15"D x 36"H	\$1106
1	C867	Fabric Tack Panel for Overhead 69¼" W x 17"H	\$343

TOTAL: \$4,465
GSA Price \$1,692.24





CSII TYPICAL #1

Consists of:

QTY.	MODEL NO.	DESCRIPTION	LIST PRICE EACH
1	C343L1	J Table 72"W x 48"D x 30"H Ret. Left with One B/B/F	\$1605
1	C343R1	J Table 72"W x 48"D x 30"H Ret. Right with One B/B/F	\$1605
2	C829	Stackable Fabric Panel 18"W x 33"W	\$557
1	C747	Flipper Door Overhead Unit 72" W x 15" D x 36" H	\$1106
2	C867	Fabric Tack Panel for Overhead 69¼" W x 17" H	\$343
1	C515	Team Table 60"W x 31"H	\$669

TOTAL: \$7,334
GSA Price \$2,779.97
 Per station \$1,389.99

CSII TYPICAL #6

Consists of:

QTY.	MODEL NO.	DESCRIPTION	LIST PRICE EACH
1	C343L1	J Table 72"W x 48"D x 30"H Ret. Left with One B/B/F	\$1605
1	C343R1	J Table 72"W x 48"D x 30"H Ret. Right with One B/B/F	\$1605
1	C483L	P Table 72"W x 48"D x 30"H Ret. Left with Conf. End	\$1276
1	C483R	P Table 72"W x 48"D x 30"H Ret. Right with Conf. End	\$1276
2	C747	Flipper Door Overhead Units 72"W x 15"D x 36"H	\$1106
2	C867	Fabric Tack Panel for Overhead 69¼" W x 17" H	\$343
4	1505TL	Optional Task Lights	\$300
2	C829	Stackable Fabric Panels 33"W x 18"H	\$557
1	C823	Stackable Fabric Panel 48"W x 18" H	\$613
1	C9513	Stepped Height Privacy Panel Finishing Kit	\$115

TOTAL: \$11,702
GSA Price \$4,435.06
 Per station \$2,217.53



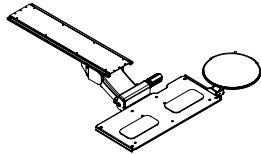
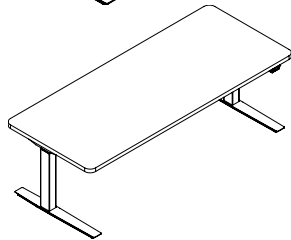
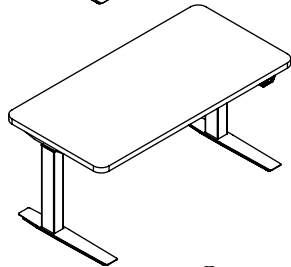
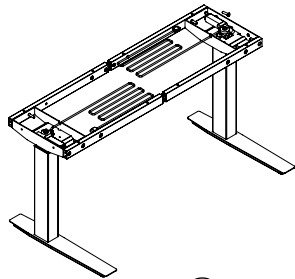


Adjustable Height Tables RGE, E and XR Series

- Single and Dual Surface
- Triple-column corner and extended corners
- Travel Range:
 - RGE: 22.6" - 48.3" (25.7" Range)
 - E: 26" - 42" (16" Range)
 - XR: 24" - 50.5" (26.5" Range)



RGE Series Adjustable Height Tables

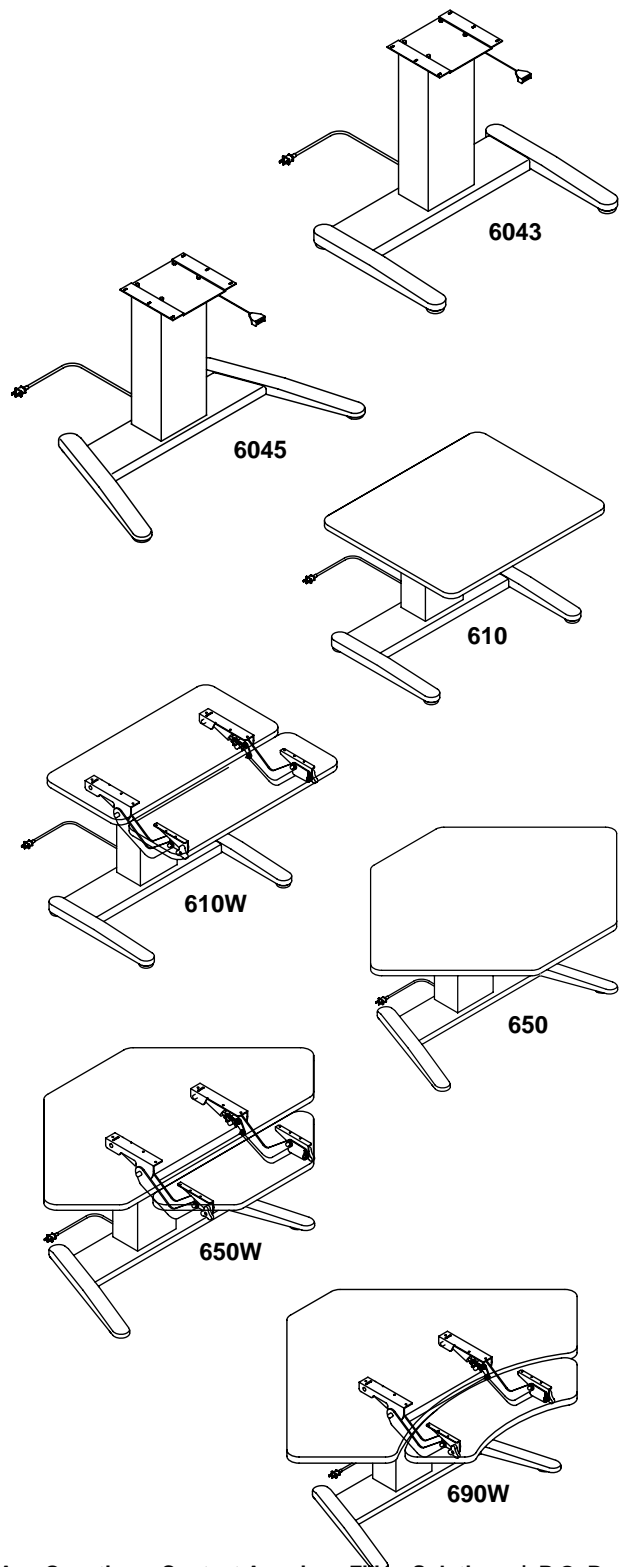


Model No.	Description	Wt		
RGE Electric HAT	Base Only-includes columns, control box, cross brace, cables and switch		Base Only List Price	GSA Price
80224M	2 Leg Base for 48" - 72" surfaces 24"D	79#	\$1630	\$617.77
80230M	2 Leg Base for 48" - 72" surfaces 30"D	85#	\$1670	\$632.93
RGE Electric HAT	Single Surface Rectangular		HPL List Price Add "T" for Radiused T-Mold	
8022448EH	48" x 24"	112#	\$1971	\$747.01
8022454EH	54" x 24"	116#	\$2065	\$782.64
8022460EH	60" x 24"	121#	\$2115	\$801.59
8022466EH	66" x 24"	126#	\$2155	\$816.75
8022472EH	72" x 24"	129#	\$2215	\$839.49
8023048EH	48" x 30"	127#	\$2010	\$761.79
8023054EH	54" x 30"	132#	\$2080	\$788.32
8023060EH	60" x 30"	137#	\$2165	\$820.54
8023066EH	66" x 30"	144#	\$2225	\$843.28
8023072EH	72" x 30"	148#	\$2275	\$862.23
RGE Electric HAT	Combination keyboard/mouse platform		List Price	
19503ATW	19"W x 8¼"D, 9" mouse platform	15#	\$545	\$206.56



MAYLINE[®]

VariTask E-Series Adjustable Height Tables



Model No.	Description	Wt.	List Price	GSA Price
VariTask™ E-Series Base Only				
6043	Base for rectangular top sizes up to 48"W x 30"D, 48" x 30" corner, 16" travel	79#	\$1778	\$673.82
6045	Base for corner top sizes up to 30" x 48", 16" travel - wedge shape	75#	\$1778	\$673.82
6047	Base for corner top sizes up to 36" x 24"D, and 42"W - wedge shape, 16" travel	67#	\$1778	\$673.82

Model No.	Description	Wt.	TFL List Price	HPL List Price	GSA Price HPL
VariTask™ E-Series - Single surface					
"L" Suffix					
615S	48" x 24"	126#	\$2036	\$2189	\$829.63
605	36" x 30"	123#	\$2017	\$2169	\$822.05
610	42" x 30"	124#	\$2036	\$2246	\$851.23
615	48" x 30"	135#	\$2103	\$2320	\$879.28

VariTask™ E-Series - Dual surface with 11" Data Center Keyboard Mechanism					
"L" Suffix					
605W	36" x 31" with DataCenter	144#	\$2857	\$3033	\$1,149.51
610W	42" x 31" with DataCenter	149#	\$2929	\$3101	\$1,175.28
615W	48" x 31" with DataCenter	155#	\$2970	\$3188	\$1,205.25

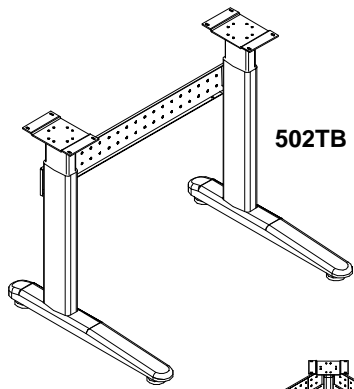
Note: DataCenter keyboard mechanisms are available for \$700 list each. Please see page 80 for more details.

VariTask™ E-Series - Single surface corner unit					
"L" Suffix					
650S	42" x 24"	132#	\$2389	\$2541	\$963.04
650	42" x 30"	135#	\$2455	\$2700	\$1,023.30

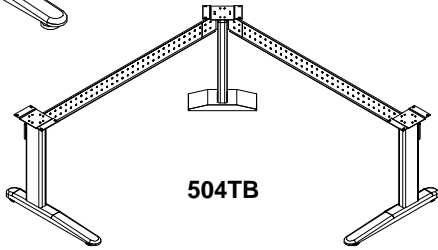
Model No.	Description	Wt.	TFL List Price	HPL List Price	GSA Price HPL
VariTask™ E-Series - Corner dual surface with Data Center Keyboard Mechanism					
"L" Suffix					
650SW	42" x 24"	150#	\$3187	\$3326	\$1,260.55
650W	42" x 30"	155#	\$3213	\$3340	\$1,265.86
670W	48" x 30"	172#	\$3367	\$3587	\$1,359.47

Model No.	Description	Wt.	TFL List Price	HPL List Price	GSA Price HPL
VariTask™ E-Series Curved - Corner dual surface with Data Center Keyboard Mechanism					
"L" Suffix					
680W	42" x 30"	155#	\$3623	\$3858	\$1,462.18
690W	48" x 30"	172#	\$3793	\$4027	\$1,526.23

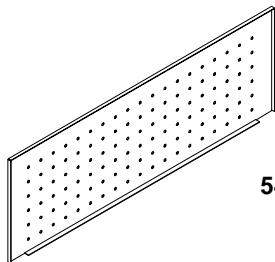
VariTask XR-Series Adjustable Height Tables



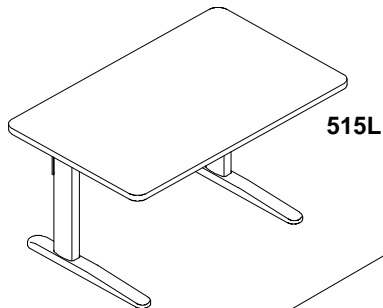
502TB



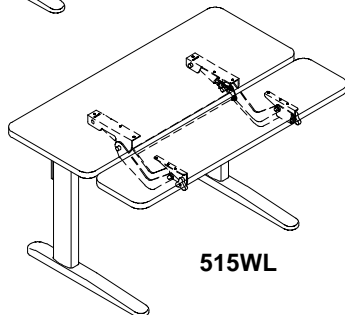
504TB



543MP

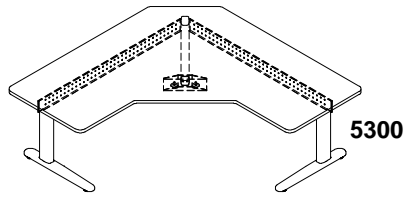


515L

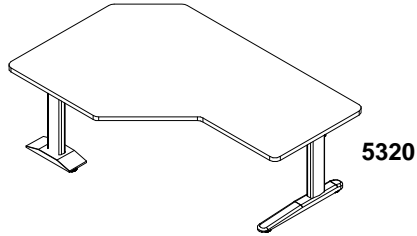


515WL

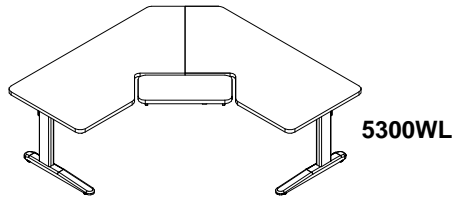
Model No.	Description	Wt.	Base Only List Price	GSA Price
VariTask™ XR Base Only -includes columns, control box, cross brace, cables and switch				GSA Price
502STB	For 36" - 42" 24"D surfaces - 2 columns	45#	\$1913	\$725.03
503STB	For 48" - 60" 24"D surfaces - 2 columns	47#	\$1981	\$750.80
506STB	For 24" x 48" x 72" x 24" right-hand return - 3 columns	65#	\$2590	\$981.61
507STB	For 24" x 72" x 48" x 24" left-hand return - 3 columns	65#	\$2590	\$981.61
504STB	For 72" x 24" x 72" corner - 3 columns	68#	\$2597	\$984.26
505STB	For 84" x 24" x 84" corner - 3 columns	73#	\$2659	\$1,007.76
502TB	For 36" - 42" surfaces - 2 columns	47#	\$1938	\$734.50
503TB	For 48" - 60" surfaces - 2 columns	50#	\$2008	\$761.03
508TB	For 60" - 72" 30"D surfaces - 2 columns	53#	\$2008	\$761.03
509TB	For 72" - 84" 30"D surfaces - 2 columns	57#	\$2078	\$787.56
506TB	For 30" x 48" x 72" x 30" right-hand return	67#	\$2630	\$996.77
507TB	For 30" x 72" x 48" x 30" right-hand return	67#	\$2630	\$996.77
504TB	For 72" x 30" x 72" corner - 3 columns	70#	\$2636	\$999.04
505TB	For 84" x 30" x 84" corner - 3 columns	75#	\$2699	\$1,022.92
Optional Modesty Panel		Wt.	List Price	GSA Price
537MP	For 36" - 42" wide tables (Qty 1)	20#	\$120	\$45.48
543MP	For 48" - 60" wide tables (Qty 1)	22#	\$131	\$49.65
549MP	For 72" x 72" corner tables (Qty 2)	38#	\$329	\$124.69
561MP	For 84" x 84" corner tables (Qty 2)	40#	\$365	\$138.34
562MP	For 72" x 84" corner tables (Qty 1 of each size)	40#	\$296	\$112.18
VariTask® XR - Single Surface Rectangular		Wt.	HPL List Price	GSA Price
505SL	36" x 24"	80#	\$2213	\$838.73
510SL	42" x 24"	87#	\$2253	\$853.89
515SL	48" x 24"	94#	\$2316	\$877.76
520SL	60" x 24"	107#	\$2446	\$927.03
505L	36" x 30"	89#	\$2267	\$859.19
510L	42" x 30"	97#	\$2308	\$874.73
515L	48" x 30"	105#	\$2372	\$898.99
520L	60" x 30"	120#	\$2502	\$948.26
525L	72" x 30"	135#	\$2549	\$966.07
VariTask® XR - Dual Surface Rectangular with DataCenter Mechanism		Wt.		GSA Price
505WL	36" x 30"	110#	\$2971	\$1,126.01
510WL	42" x 30"	119#	\$3028	\$1,147.61
515WL	48" x 30"	131#	\$3102	\$1,175.66
520WL	60" x 30"	147#	\$3233	\$1,225.31



5300



5320



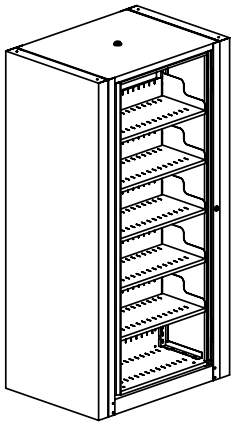
5300WL

Model No.	Description	Wt.	HPL List Price	GSA Price
VariTask® XR - 3 Column Laminate Single Surface Corner				
5300SL	24" x 72" x 72" x 24"	240#	\$3660	\$1,387.14
5310SL	24" x 84" x 84" x 24"	242#	\$3859	\$1,462.56
5320SL	24" x 48" x 72" x 24" - right handed	231#	\$3172	\$1,202.19
5330SL	24" x 72" x 48" x 24" - left handed	231#	\$3172	\$1,202.19
5300L	30" x 72" x 72" x 30"	253#	\$3723	\$1,411.02
5310L	30" x 84" x 84" x 30"	258#	\$3922	\$1,486.44
5320L	30" x 48" x 72" x 30" - right handed	239#	\$3236	\$1,226.44
5330L	30" x 72" x 48" x 30" - left handed	239#	\$3236	\$1,226.44
VariTask® XR - 3 Column Laminate Surface Rectangular with DataCenter Mechanism				
5300WL	30" x 72" x 72" x 30"	258#	\$4442	\$1,683.52
5310WL	30" x 84" x 84" x 30"	285#	\$4641	\$1,758.94
5320WL	30" x 48" x 72" x 30" - right handed	244#	\$3839	\$1,454.98
5330WL	30" x 72" x 48" x 30" - left handed	244#	\$3839	\$1,454.98



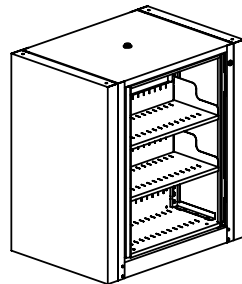


Arc™ Rotary



6-Tier Complete

6-Tier
 \$1,141.55
 72"H x 37"W x 26"D
 (Letter/KD)



3-Tier Complete

3-Tier
 \$787.94
 40"H x 37"W x 26"D
 (Letter/KD)



MAYLINE®



Mailroom
IT Furniture
High-Density Storage

Call us for a quote!
1-888-891-1970



MAYLINE®