

Tablet Computer Charging Station

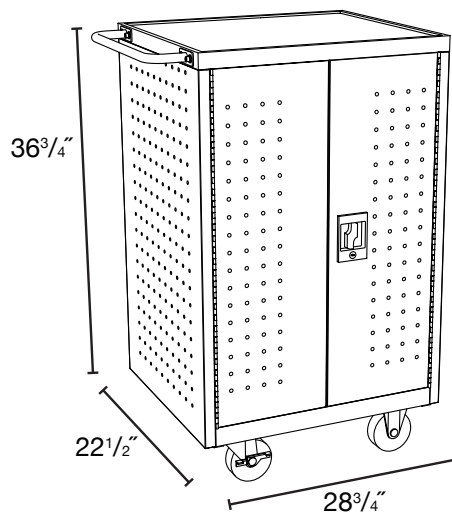
LLTM42-B



LLTM42-B
 $28\frac{3}{4}''$ W x $22\frac{1}{2}''$ D x $36\frac{3}{4}''$ H

- Sleek and mobile unit capable of charging and securing up to 42 Chromebooks or tablets (sold separately)
- Cabinet and tablet shelves come fully assembled.
- Measures $28\frac{3}{4}''$ W x $22\frac{1}{2}''$ D x $36\frac{3}{4}''$ H
- Shelves hold up to 21 tablets or chromebooks each
- The rubber-coated dividers keep your tablets organized and protected. Each divider is 1" apart.
- Rear access door features two 16-outlet and one 10-outlet 120V/15A vertical electrical power strips
- Plenty of ventilation allows air to circulate freely through the unit.
- Includes four 4" casters, two with locking brakes.
- Locking front and rear access doors
- Maximum weight capacity of 115lbs (evenly distributed)

Rear access door has 42 outlets.



LLTM42-B - TABLET/CHROMEBOOK CHARGING CART

Product Specifications:

Item Number	LLTM42-B
Material	Steel
Color Finish	Black
Capacity	42 Tablets/Chromebooks
Dimensions (w/handle)	32" W x 22.5" D x 36.5" H
Dimensions (w/out handle)	28.5" W x 22.5" D x 36.5" H
Weight	118 lbs.
Shelf Quantity	3
Shelf Dimensions	Storage Shelf: 28.25" W x 11" D x 4" H Two Bottom Shelves: 26.375" W x 11.125" D x 11.25" H
Divider Make	Rubber Coated Steel
Divider Distance	1"
Divider Dimensions	1" W x 13.5" D x 11.25" H
Doors	Two front; two back
Lock	Key-lock on front & back doors; two keys
Ventilation	All sides
Cord Length	10'
Cable Management	Charging Cord Notches
Casters (4)	4" non-skid swivel; two casters include locking brakes
Weight Capacity	115 lbs.
Power	Two 16-outlet & one 10-outlet vertical power strips; UL approved
Voltage	120V/15A electrical
Ship Method	Freight
Shipping Carton Dims	1 carton; 30" W x 25" D x 33" H
Shipping Weight	118 lbs.
Assembly Required	Minimal; attach handle bar & casters

**To Order, Call Your
Sales Representative
at 951-694-4150**

