

*Assembly Instructions for:*  
**Binder Carousel & Desktop Carousel**  
**Optional Caster Set**  
**Optional Pull-Out Shelf**  
**Optional Extension Kit**  
**Optional Top Shelf**

**Accessorize Your Binder Carousel with Optional Add-Ons.**



*The **Pull-Out Shelf** provides a sturdy work surface and can be added at any time.*



*Add **Casters** and move your Binder Carousel where you need it. The compact 32" width fits through most doorways.*



*The **Organizer Set** converts a tier into twenty smaller sections for multimedia and books.*



*The **CD Holder** stores up to 54 CDs per quadrant. Four CD Holders fill one tier.*



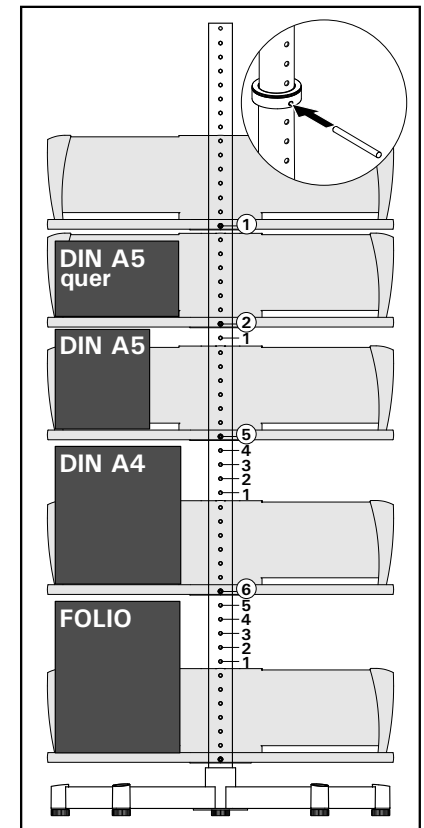
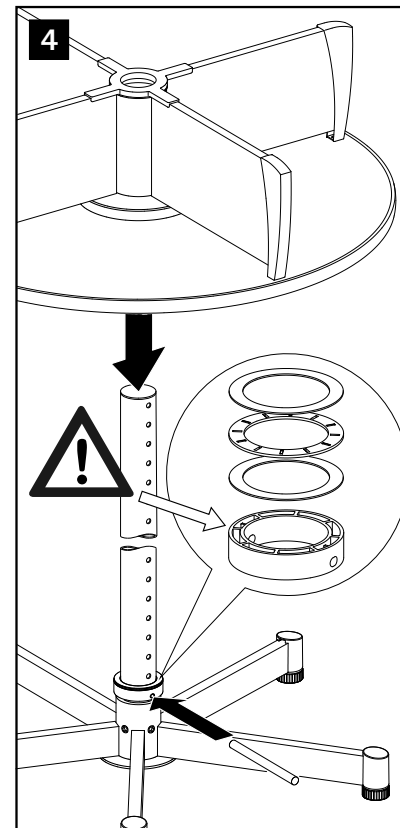
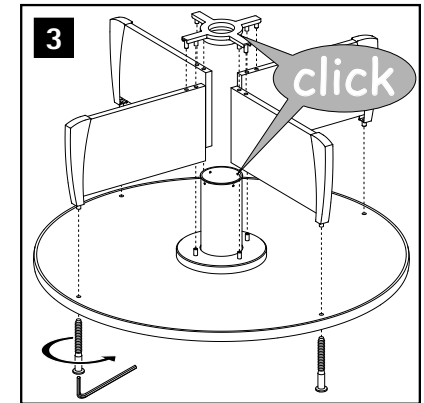
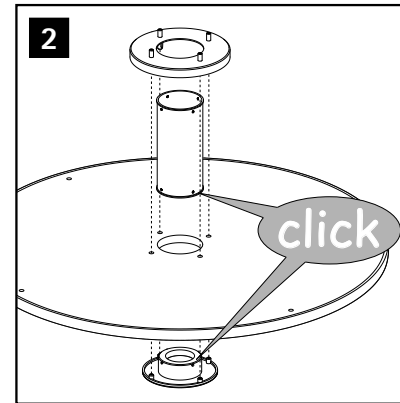
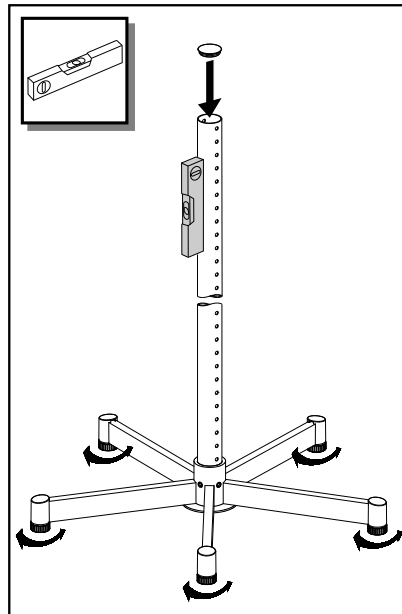
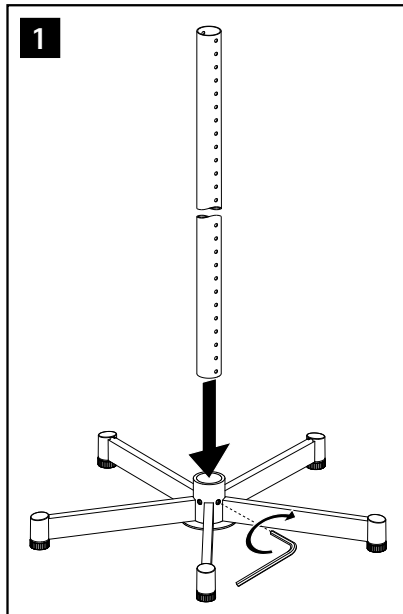
*Add a tier at any time with an **Extension Kit**. (max.6 tiers) Tier heights are adjustable.*



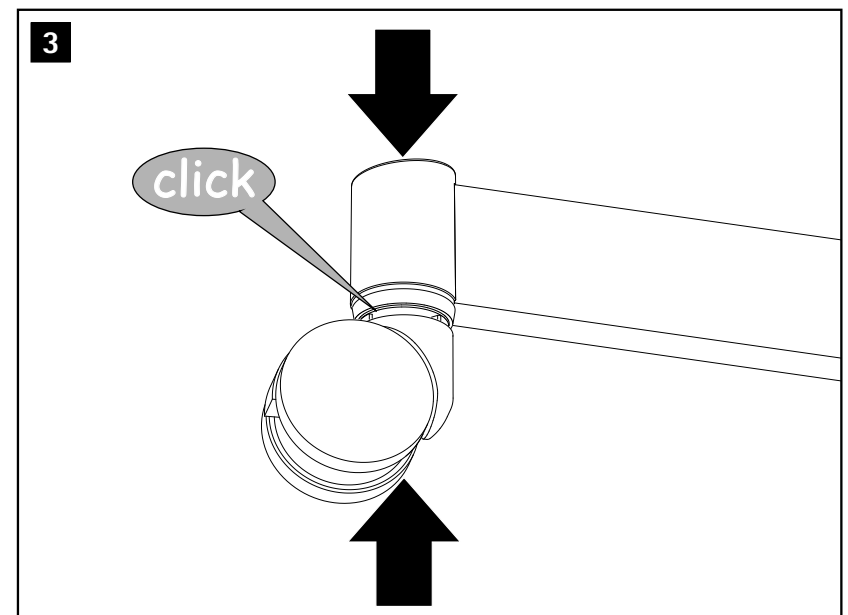
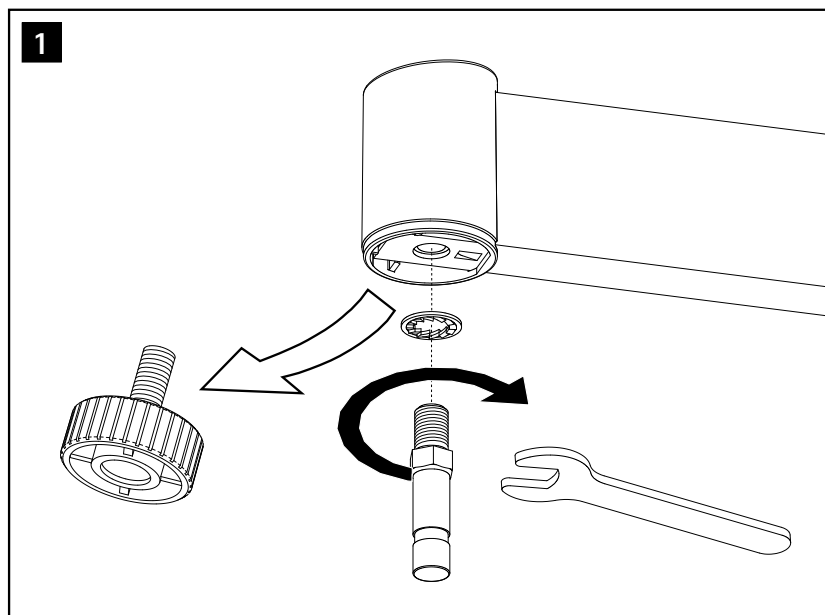
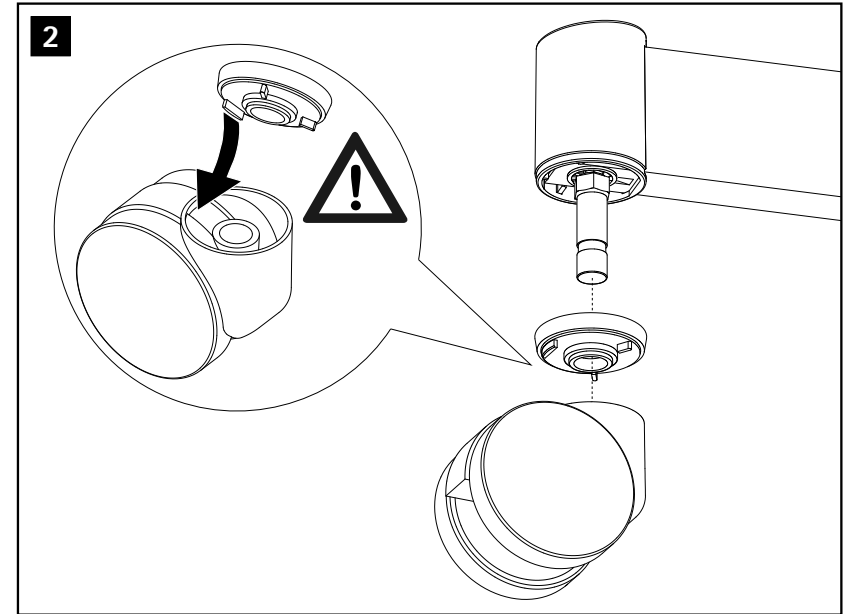
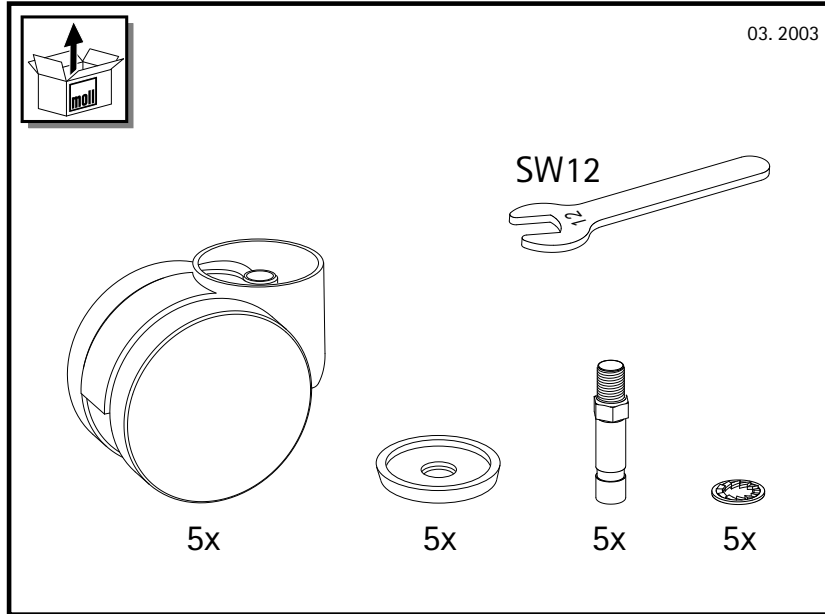
# Assembly Instructions for Carousel

03. 2003

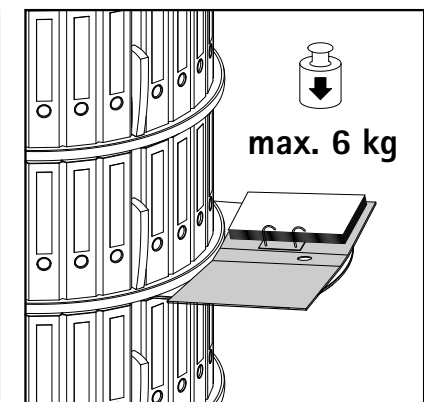
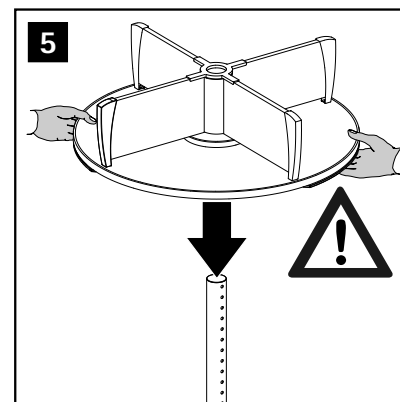
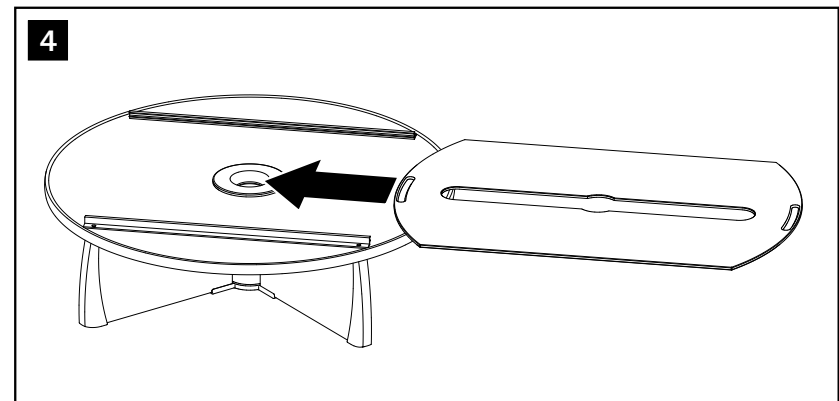
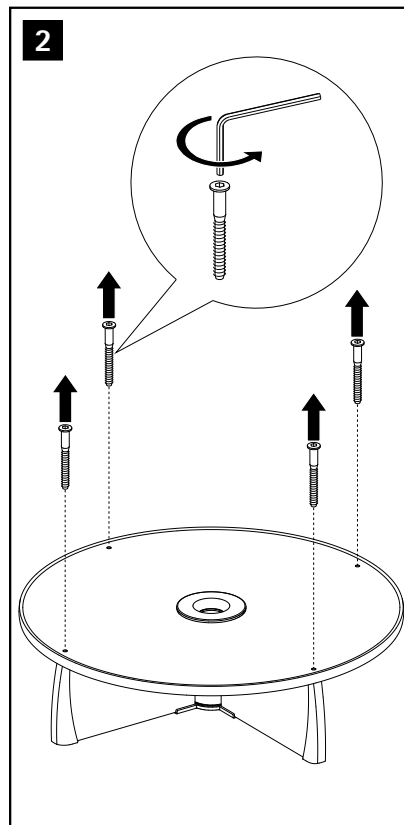
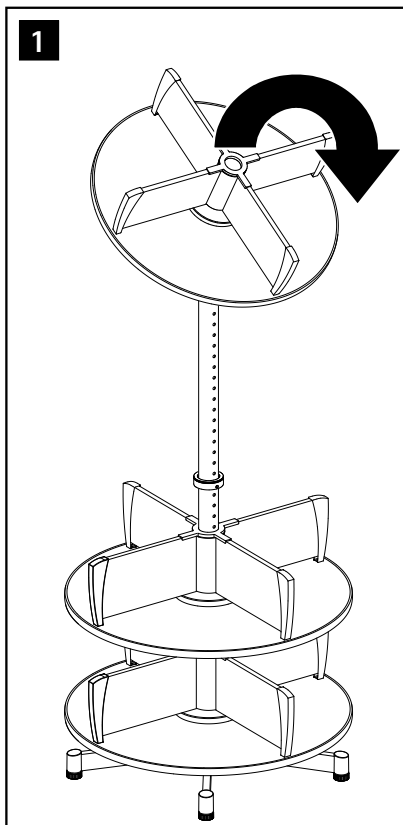
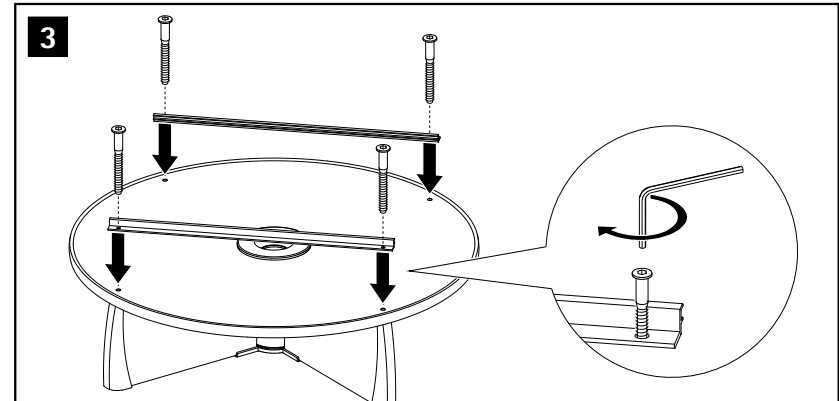
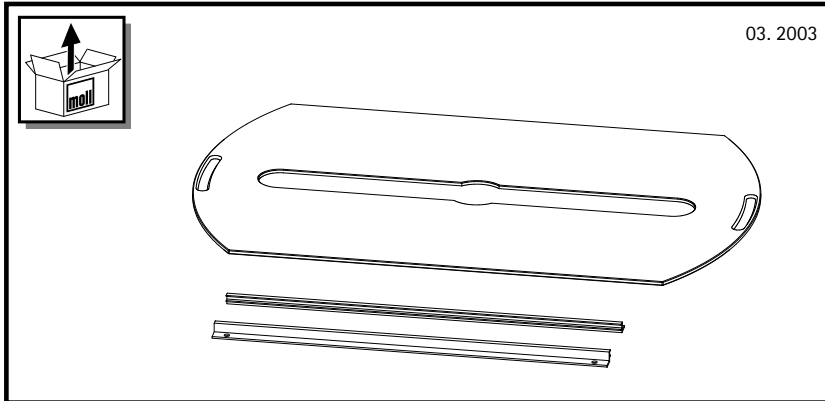
		NUMBER OF TIERS				
		2	3	4	5	6
	1x	8x	12x	16x	20x	24x
	1x	2x	3x	4x	5x	6x
		2x	3x	4x	5x	6x
		2x	3x	4x	5x	6x
		8x	12x	16x	20x	24x
		2x	3x	4x	5x	6x



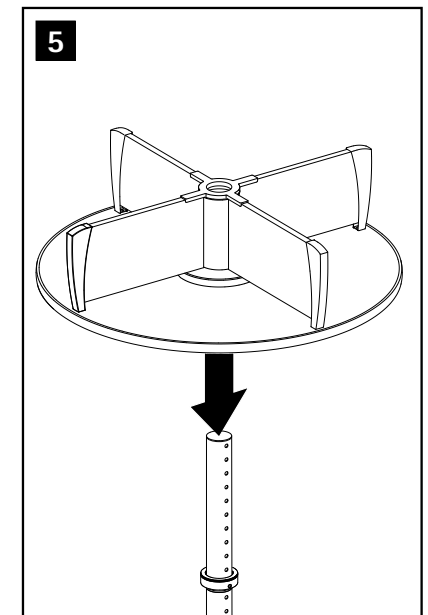
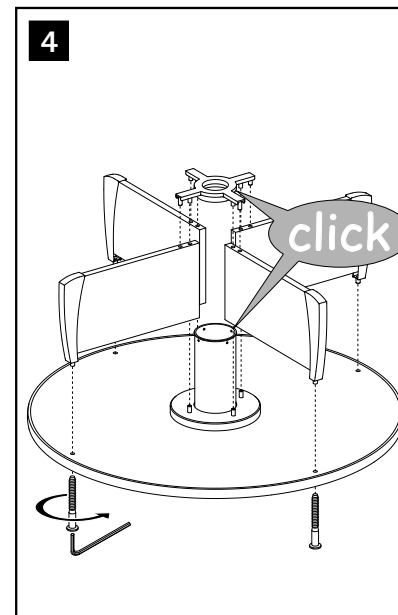
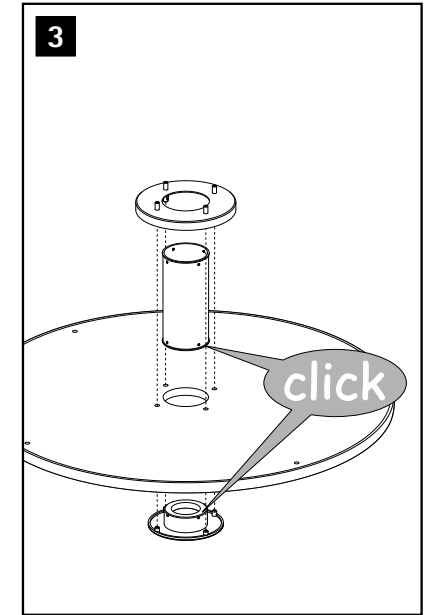
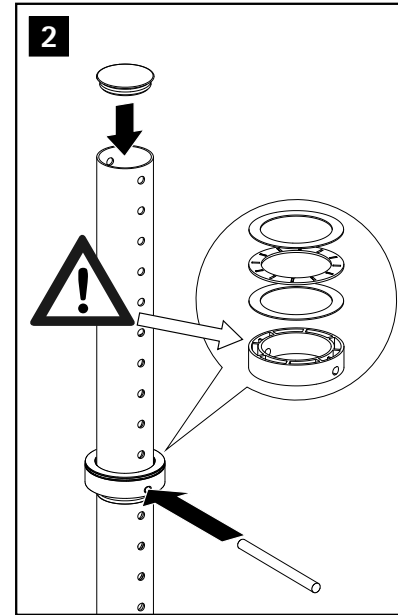
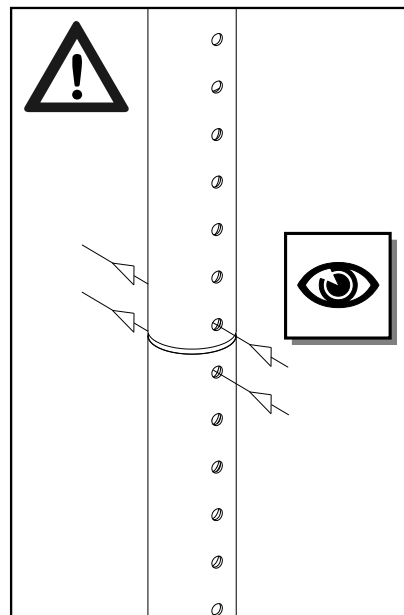
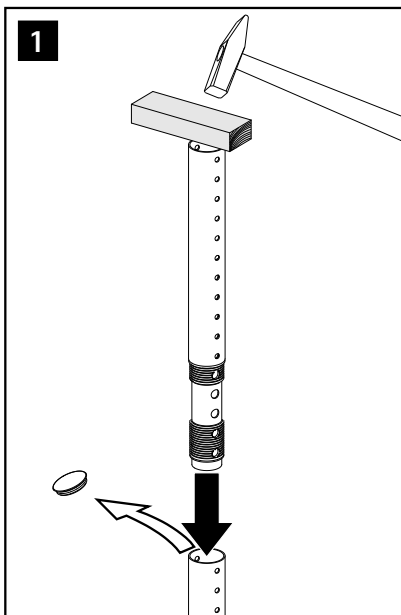
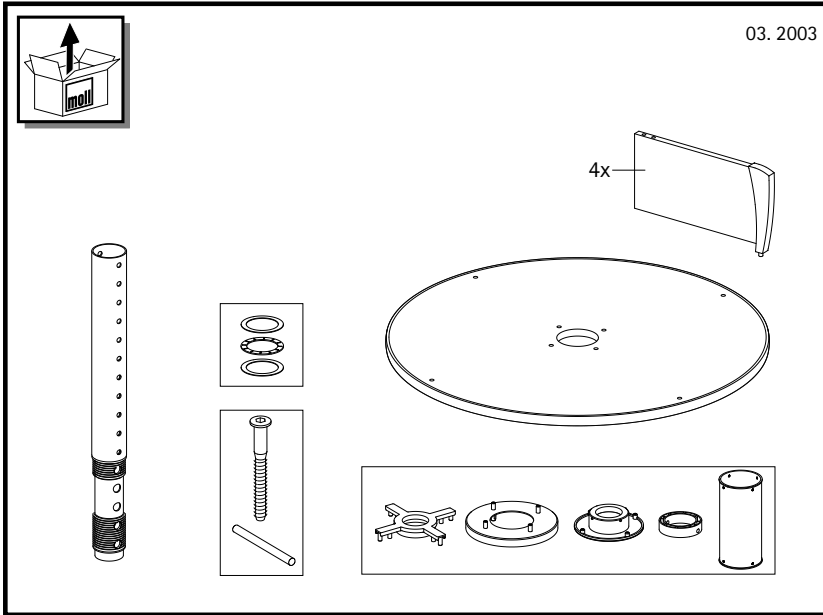
# Assembly Instructions for Caster Set



# Assembly Instructions for Pull-Out Shelf



# Assembly Instructions for Extension Kit



# Assembly Instructions for Top Shelf

