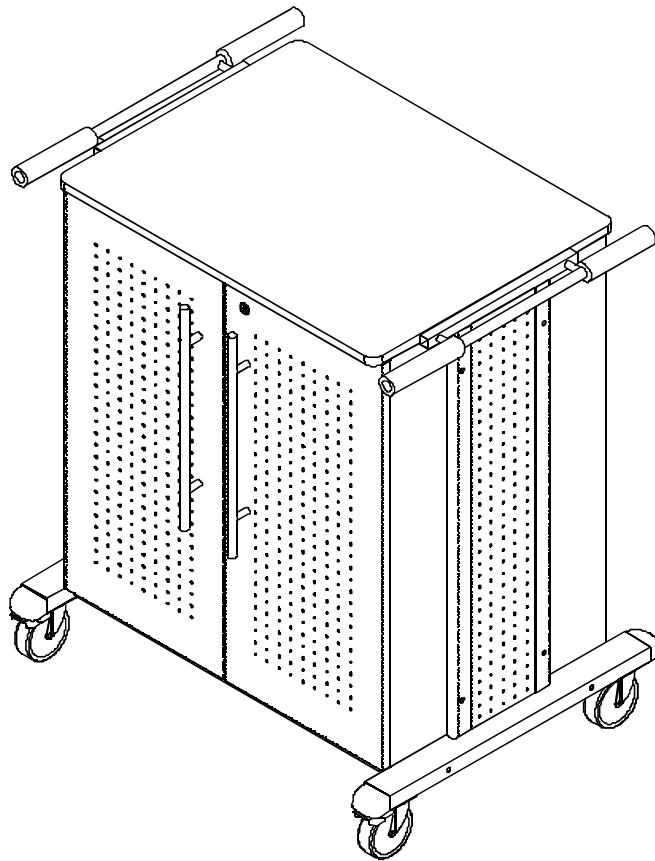


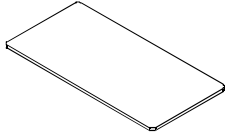
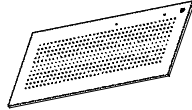
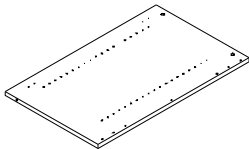
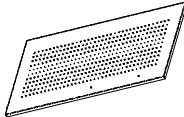
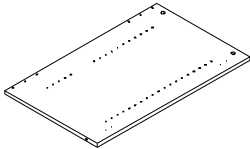
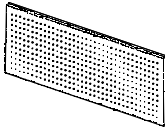
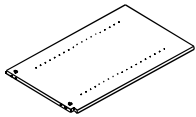
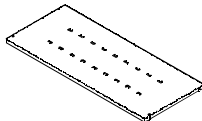
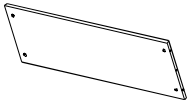
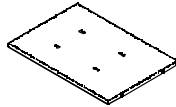
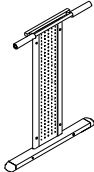
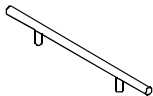

Cart, X-Ray File
Model No. XC1010



ASSEMBLY INSTRUCTIONS

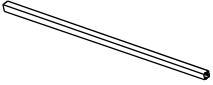





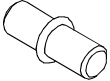
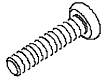
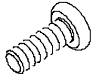
P/N **XC1010** REV 03 10/14/08



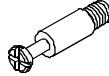




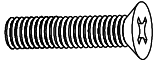

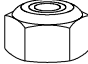
PARTS LIST

Name	Part	Qty.	Name	Part	Qty.
A	 XC1010A Top	1	F1	 XC1010F1 Right Door	1
B1	 XC1010B1 Left Panel	1	F2	 XC1010F2 Left Door	1
B2	 XC1010B2 Right Panel	1	G	 XC1010G Metal Back Panel	1
B3	 XC1010B3 Center Panel	1	H	 XC1010H Bottom Panel	1
C	 XC1010C Wood Back Panel	2	I	 XC1010I Adjustable Shelf	2
D	 XC1010D Leg	2	J2	 XC1010J2 Door Handle	2
E	 Door Retainer	2			

items with HB are in the hardware box.

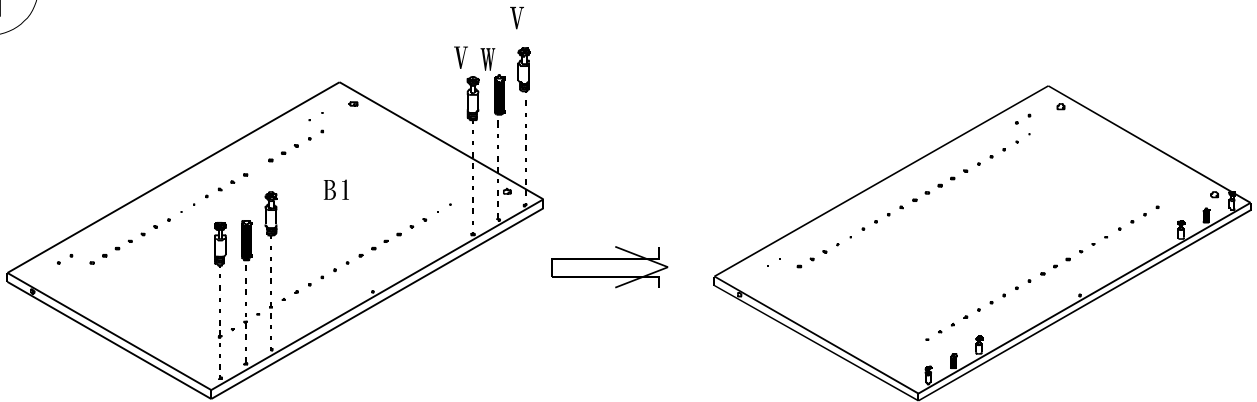
PARTS LIST

Name	Part	Qty.
K	 XC1010K Support Bar	2
L	 XC1010L Cross Bar	1
M	 XC1010M Folder Divider	4
N	 XC1010N Door Hinge	4
O1	 XC1010O1 Locking Caster	2
O2	 XC1010O2 Non Locking Caster	2
P	 HB Shelf Pin	9
Q	 HB 1/4 x 75mm	5
S	 HB 1/4 x 10mm	27

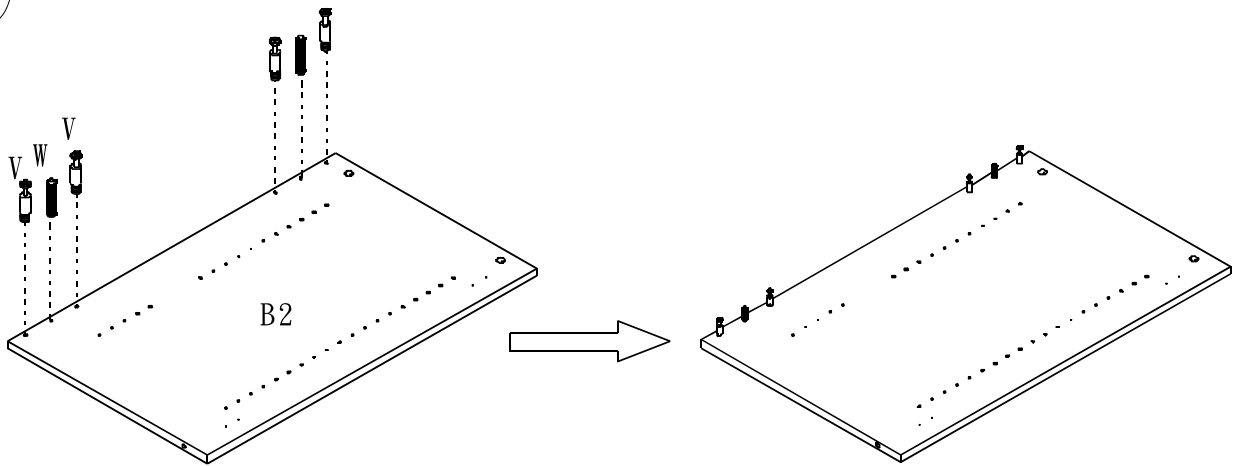
Name	Part	Qty.
T	 HB M4 x 10mm	13
U	 HB M4 x 15mm	17
V	 HB Cam Post	15
W	 HB Wood Dowel	11
X	 HB Cam Lock	15
Y	 HB Hex Wrench	1
Z	 HB XC1010Z-Leg Cap	4
AA	 HB 1/4-20 x 2" Flat HD	8
AB	 HB 1/4" x 1" Fender Washer	8
AC	 HB 1/4-20 Lock Nut	8

Items with HB are in the hardware box.

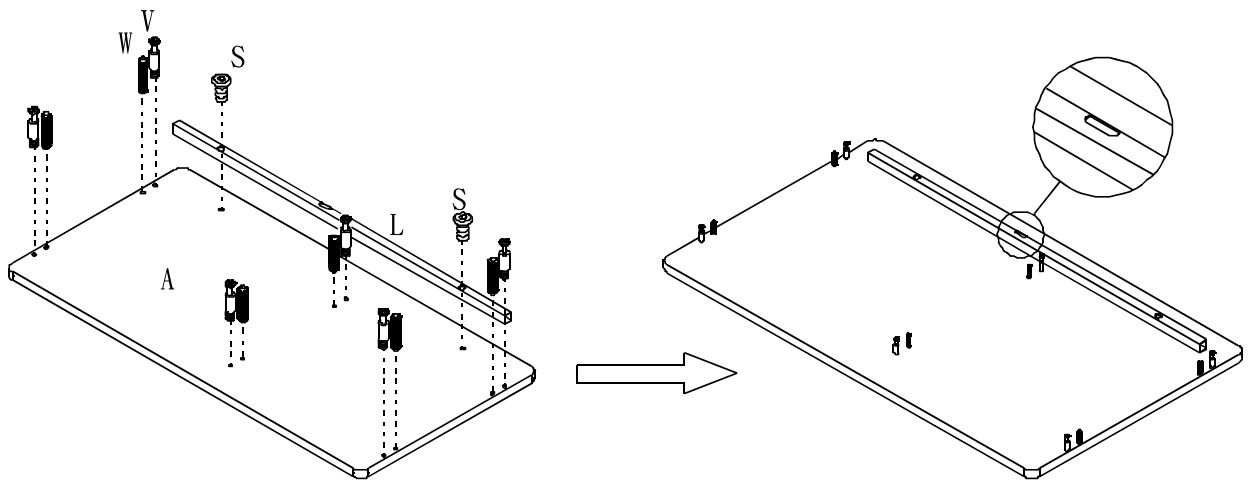
1



2

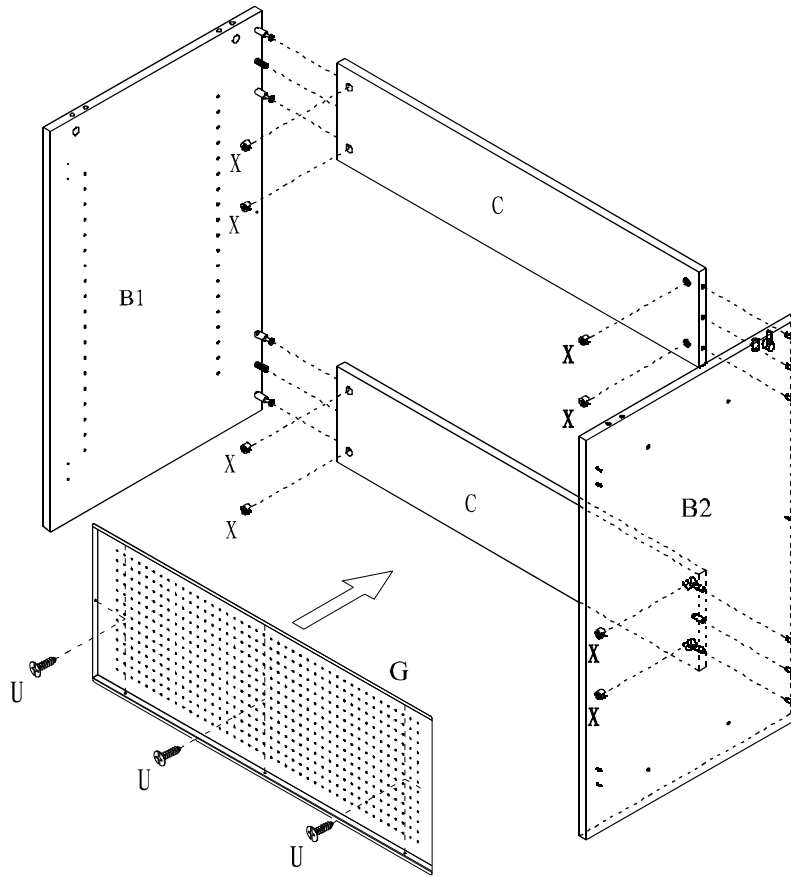


3

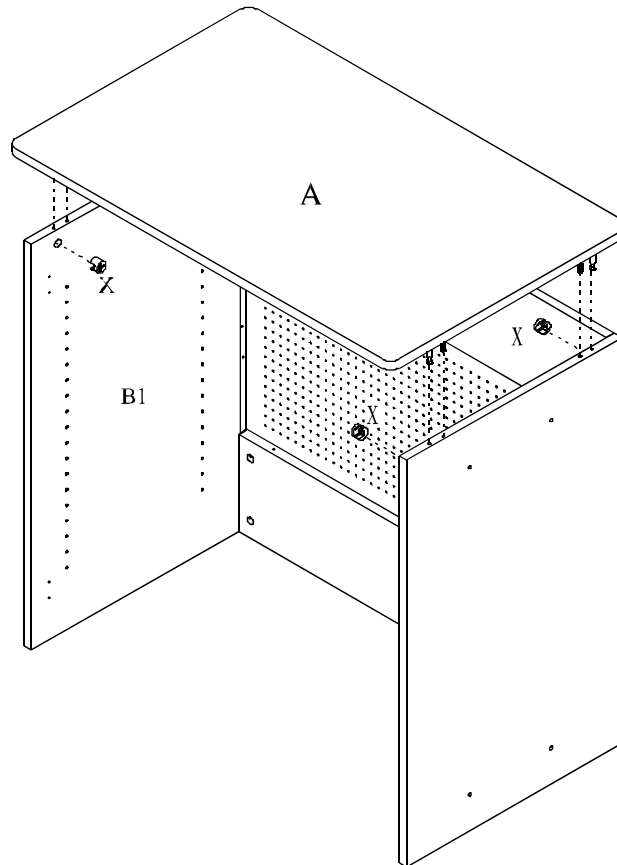


3

4

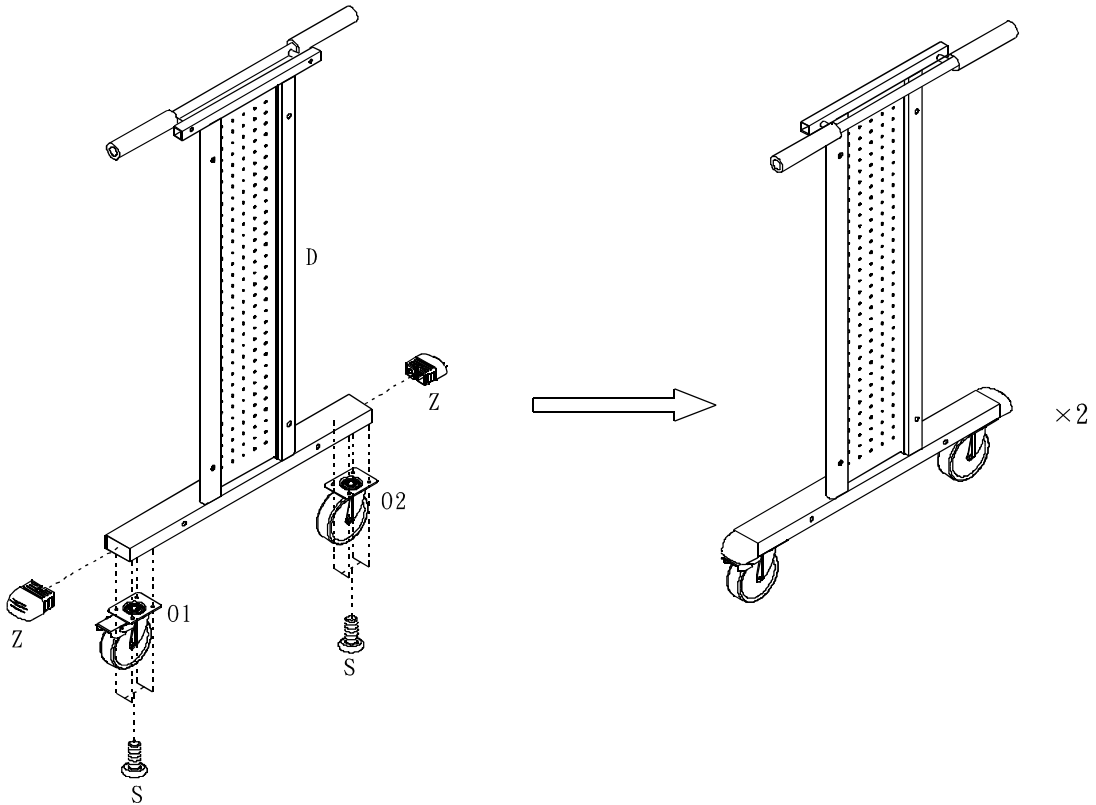


5

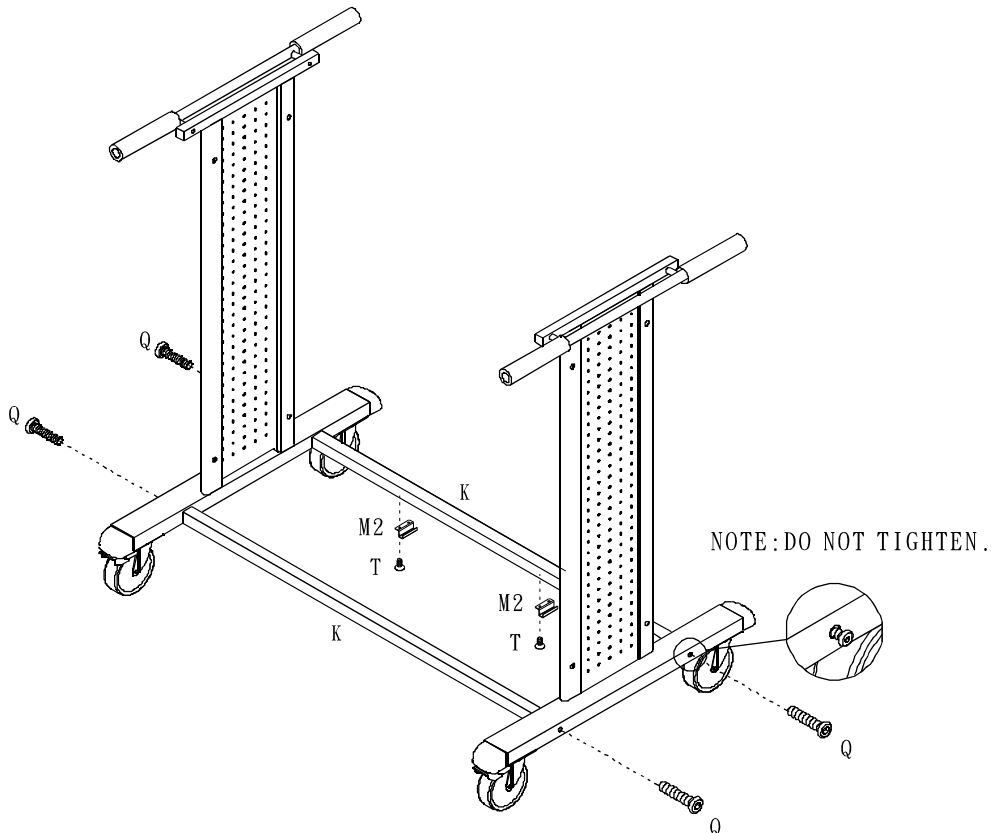


4

6

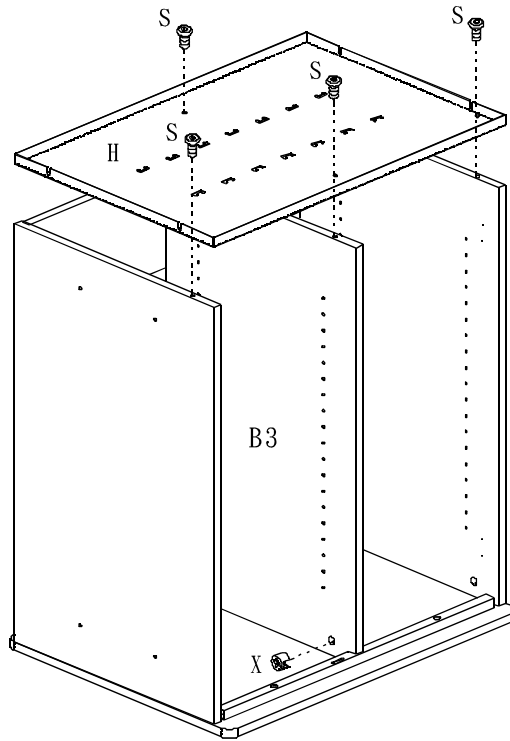


7

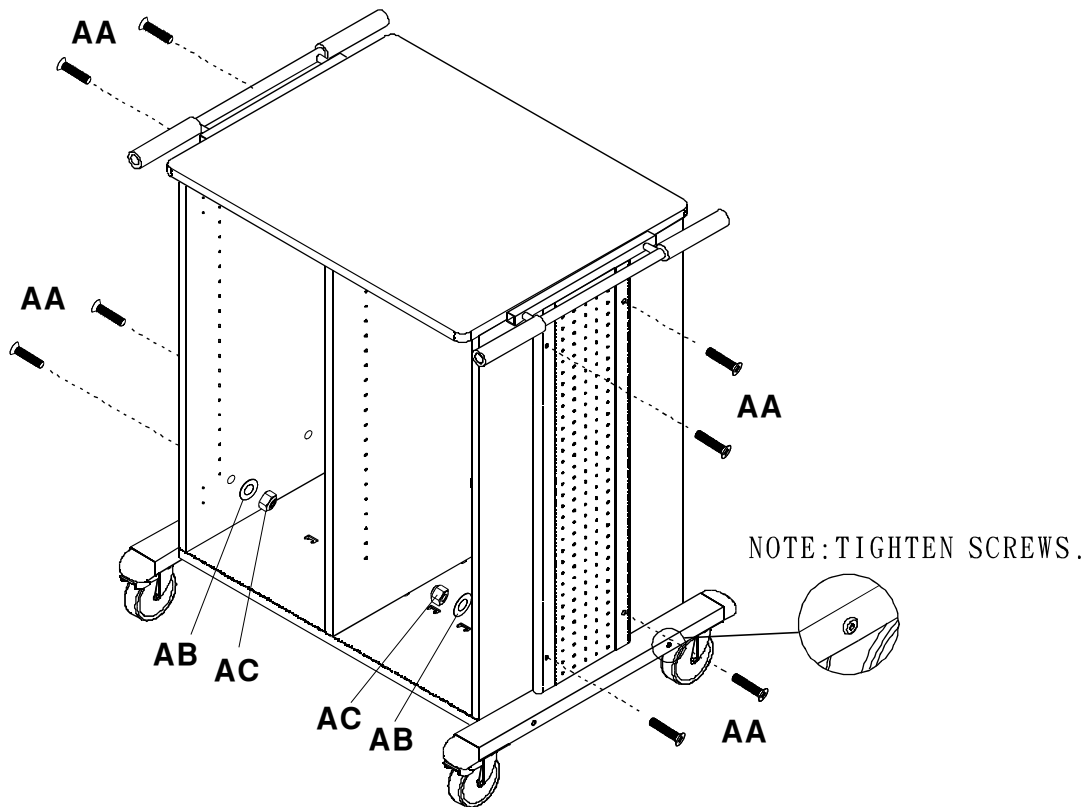


5

8



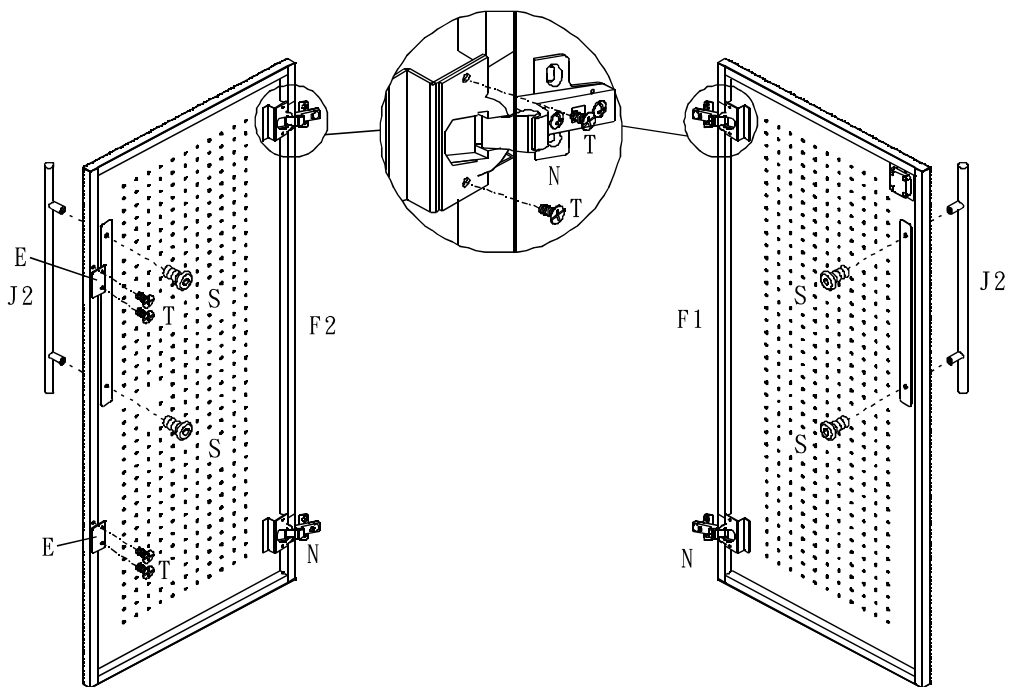
9



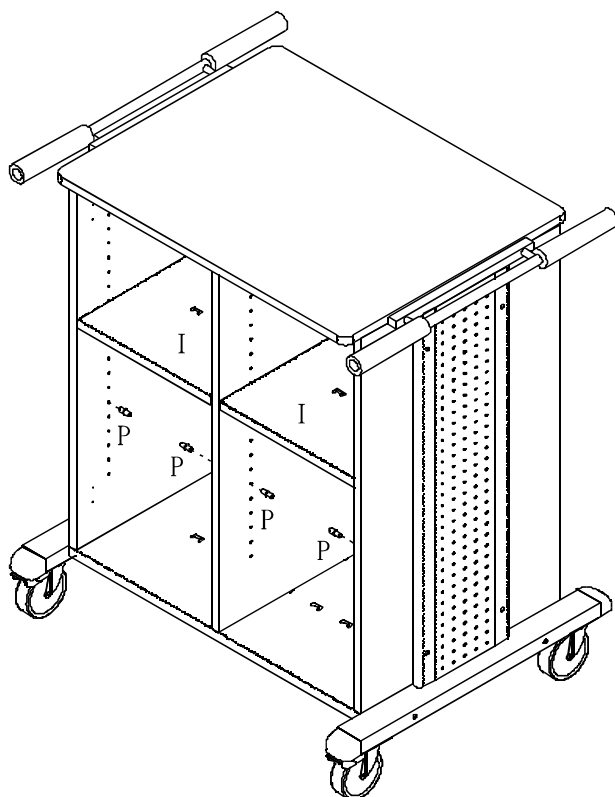
6

10

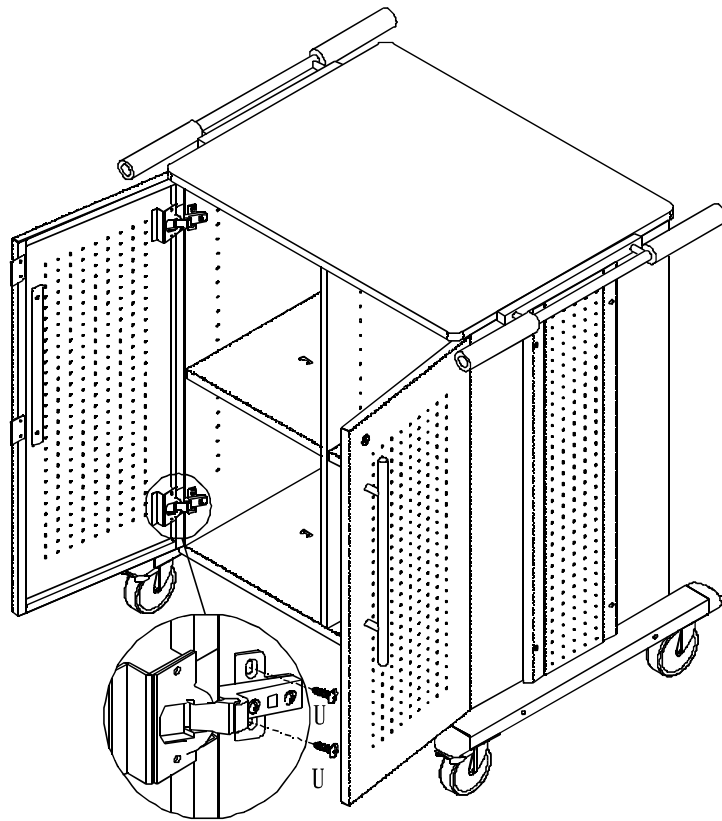
NOTE: DO NOT TIGHTEN.



11



12



NOTE: TIGHTEN SCREWS.

13

