

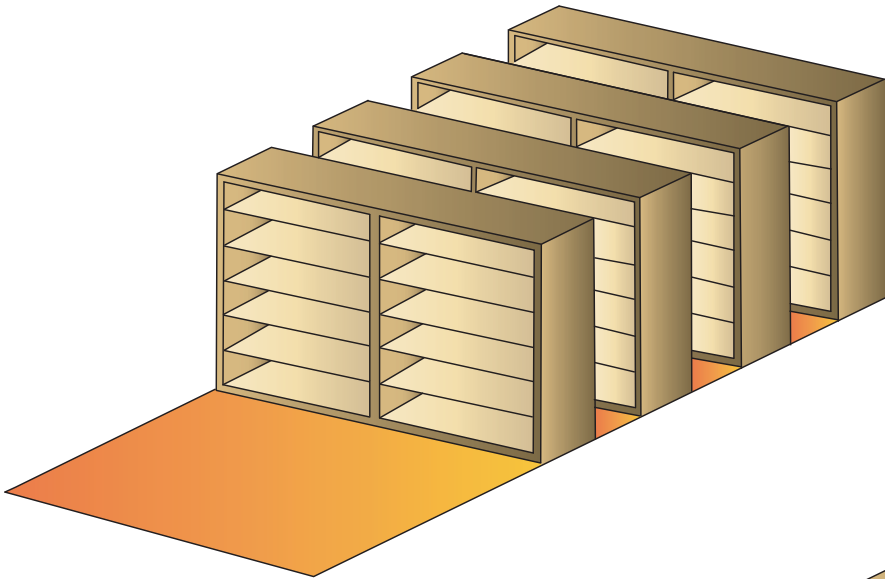


**American Filing Solutions**

P.O. Box 9220, Naperville IL 60564  
Tel: 1-630-748-8099 | 1-888-891-1970  
Fax: 1-630-299-4603 | 1-888-891-9970  
Email: [sales@FilingToday.com](mailto:sales@FilingToday.com)  
[www.FilingToday.com](http://www.FilingToday.com)

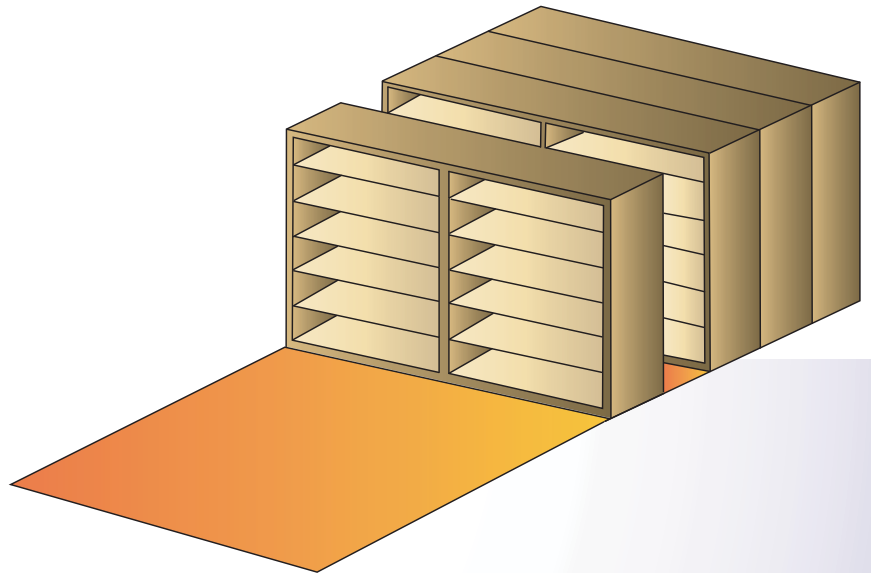


# Spacesaving Systems Plan

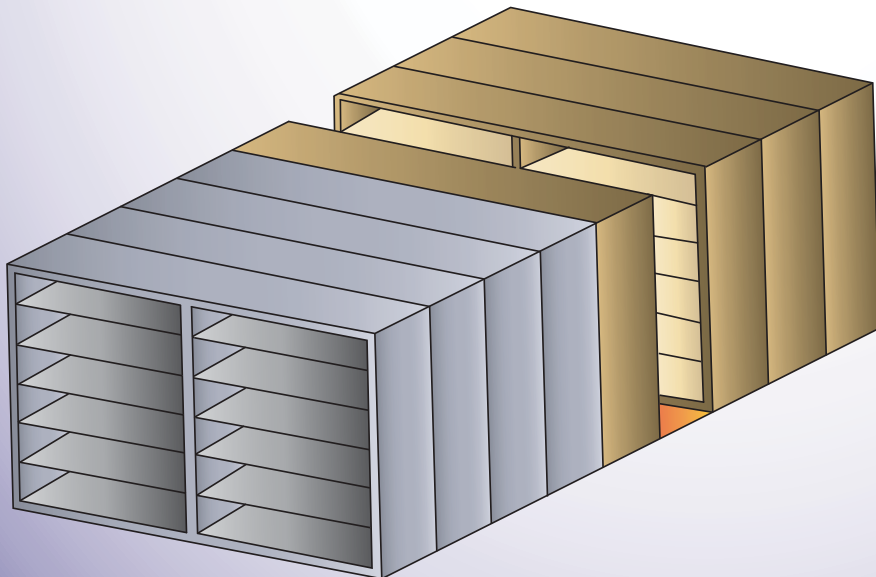


**Conventional Layout**  
typical arrangement of stationary storage units with non-productive aisles between units.

**AFS Layout** With the elimination of non-productive aisles between fixed ranges, the **AFS** concept compacts the materials stored and increases usable space by 50 percent.



**AFS Plan**  
a doubling of storage capacity available within the original floor space.





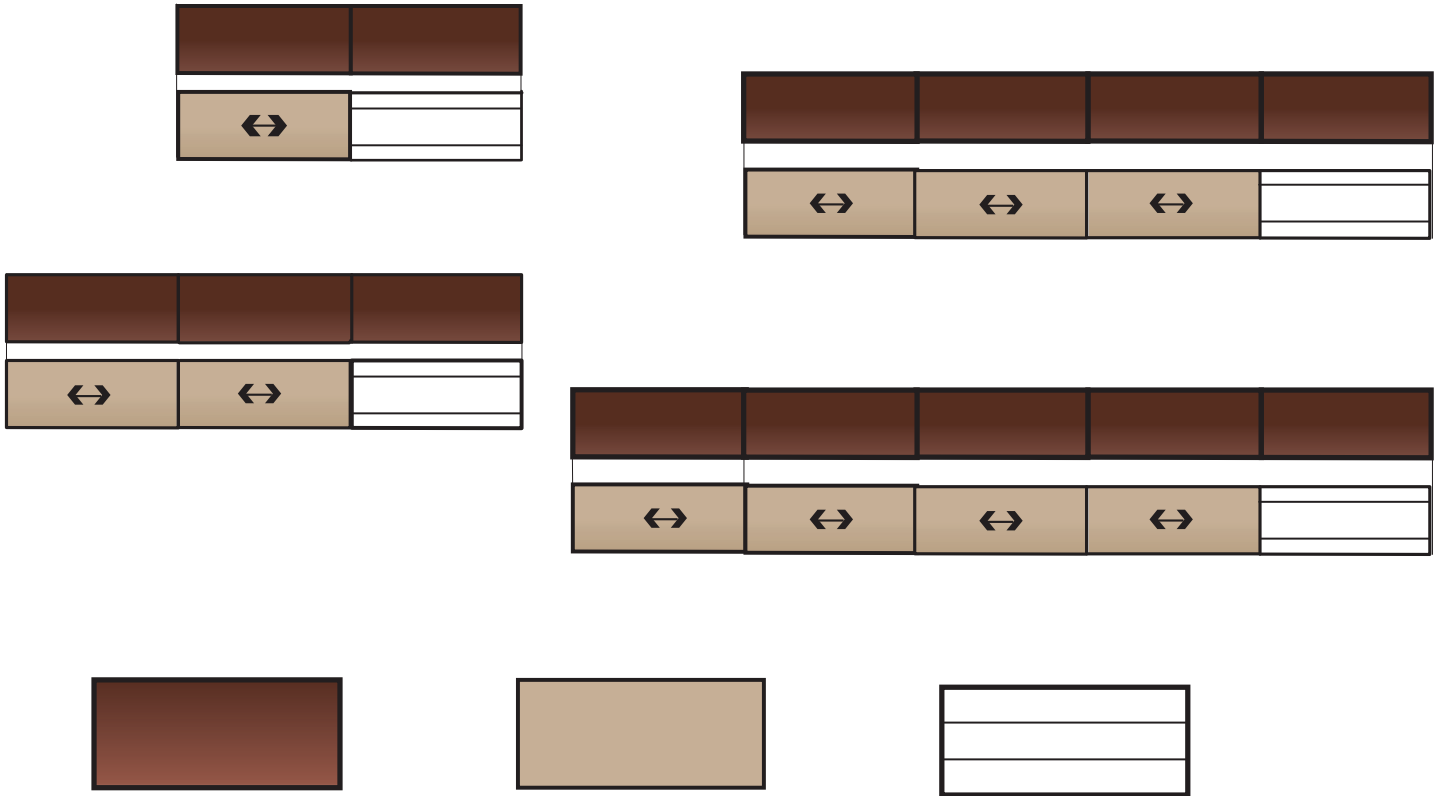
Tri-file Design



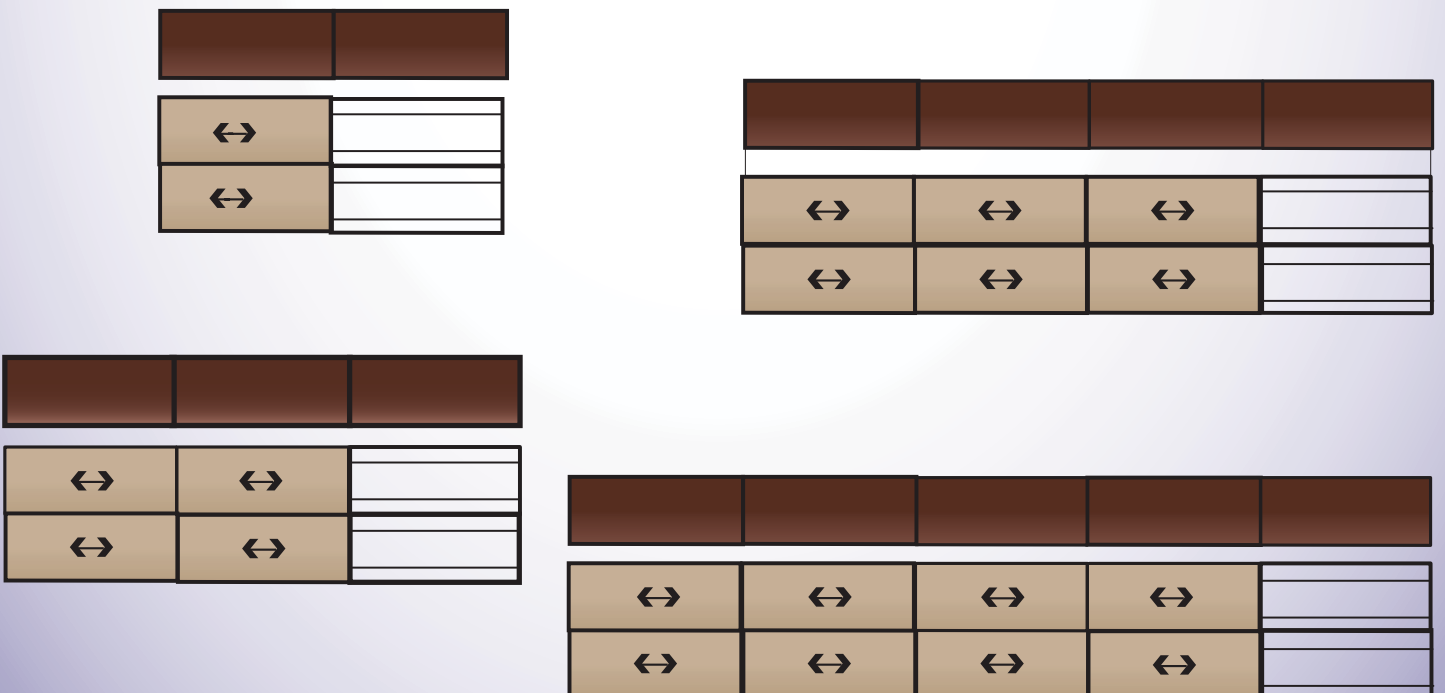
Bi-file Lockable Files secured with Tambour Door

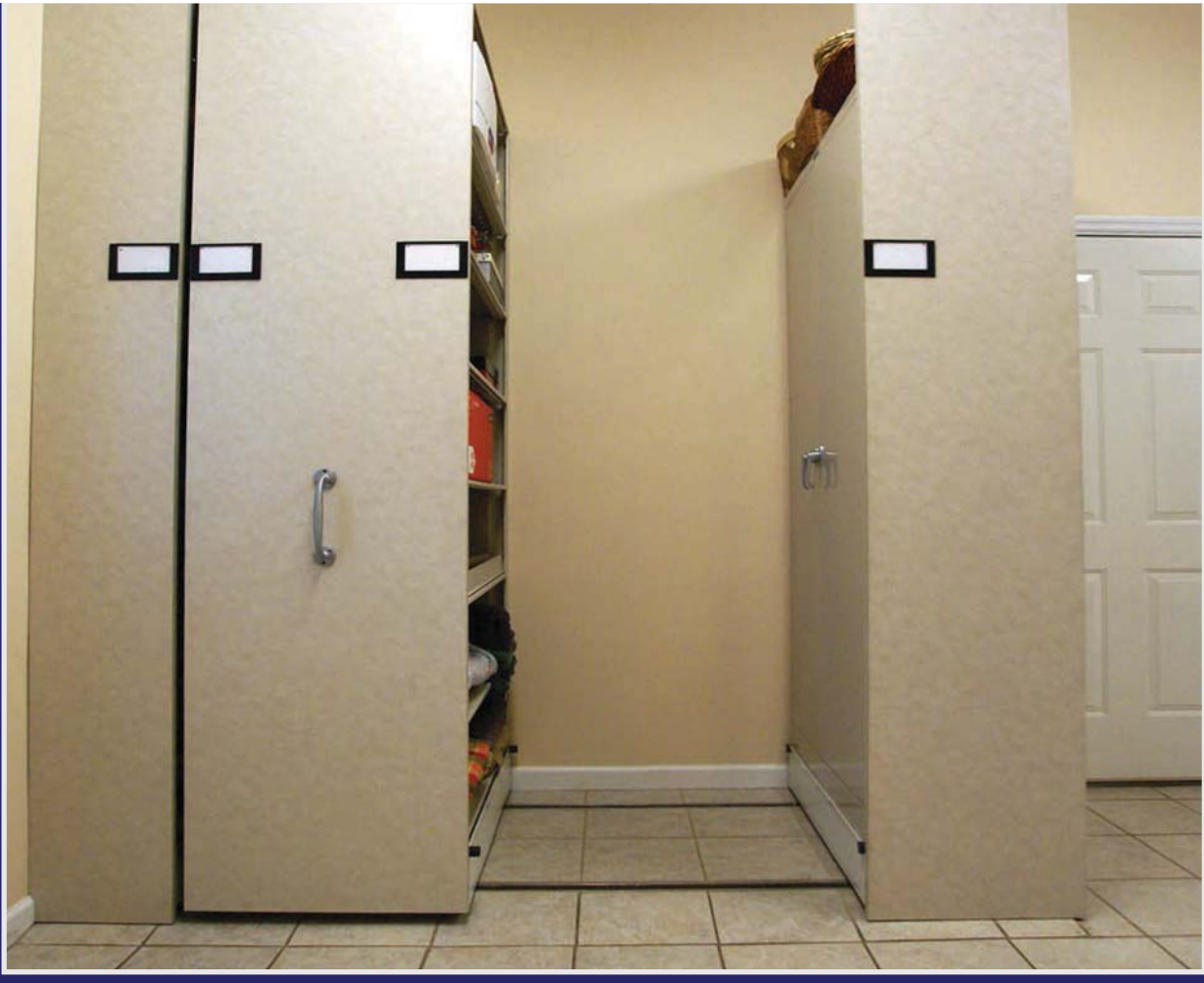
# Lateral System

# Typical bi-file layouts



# Typical tri-file layouts





Supplies

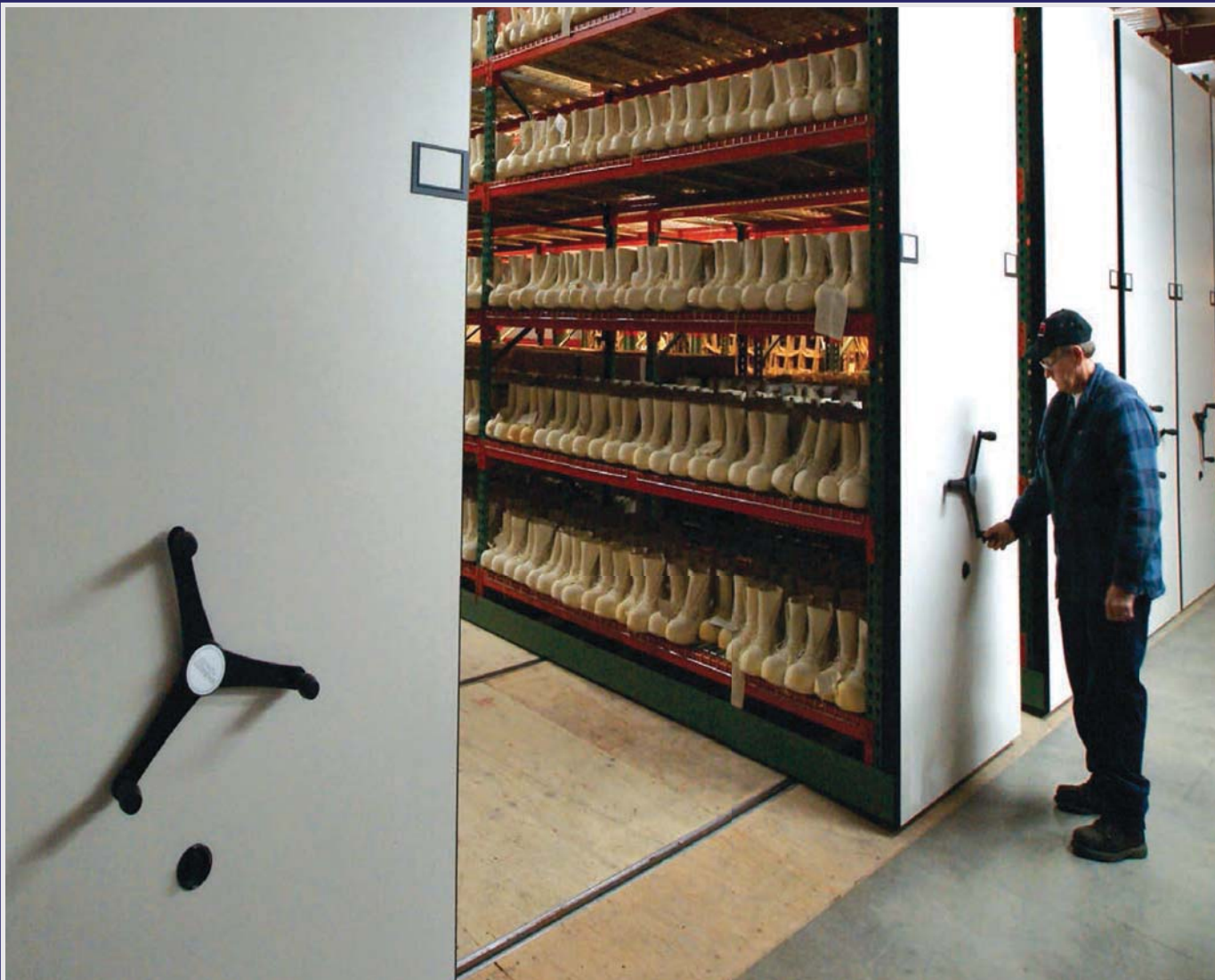
# Manual Moveable System

# Mechanical Assist System



Records and Video Storage

Military Gear Storage





Letter-size Filing



Legal-size Filing with color-coded panels

# Electric Systems

# Applications



Lockable Secured Files with Tambour Doors

Weapons Storage Systems







System with Hinged Locking Doors



Weapons Storage Systems

Optics and Mortar Storage



Specialty Weapons Storage





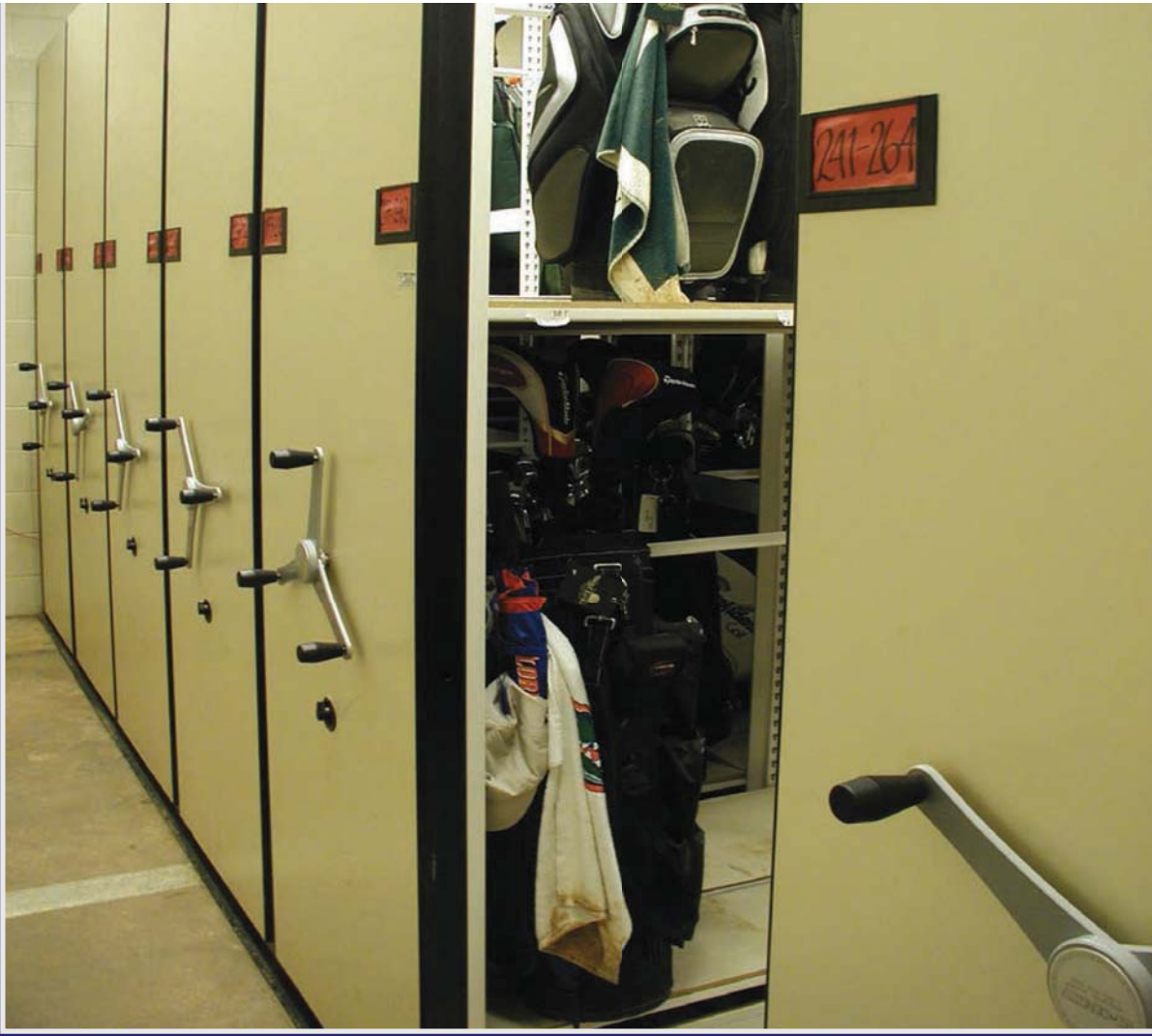
Museum Storage

File System working around a column — notice system in back



Athletic/First-aid Supplies





Golf Bag Storage



Police Evidence Storage



Hand-loaded Bulk Storage



Mobility Bags and Military Gear



System with Special Doors



Clean Room Supply Storage

**American Filing Solutions**

P.O. Box 9220, Naperville IL 60564  
Tel: 1-630-748-8099 | 1-888-891-1970  
Fax: 1-630-299-4603 | 1-888-891-9970  
Email: [sales@FilingToday.com](mailto:sales@FilingToday.com)  
[www.FilingToday.com](http://www.FilingToday.com)

